

ASSEMBLY INSTRUCTIONS, SLIM SELF-SERVICE STAND



E514693

ELO-SELF-SERV-STAND-SLIM-COUNTERTOP

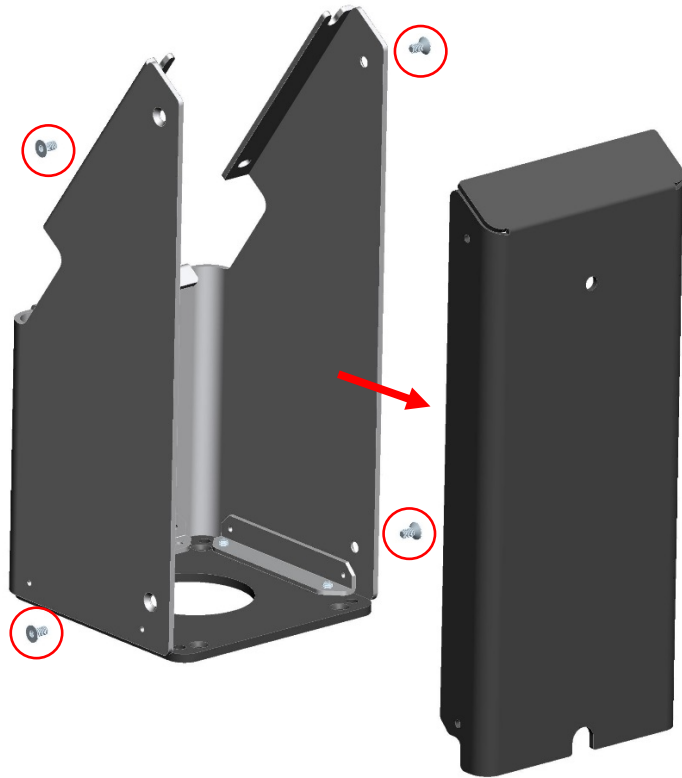
E514881

ELO-SELF-SERV-STAND-SLIM-FLOOR-TOP

E515260

ELO-SELF-SERV-STAND-SLIM-FLOOR-BASE

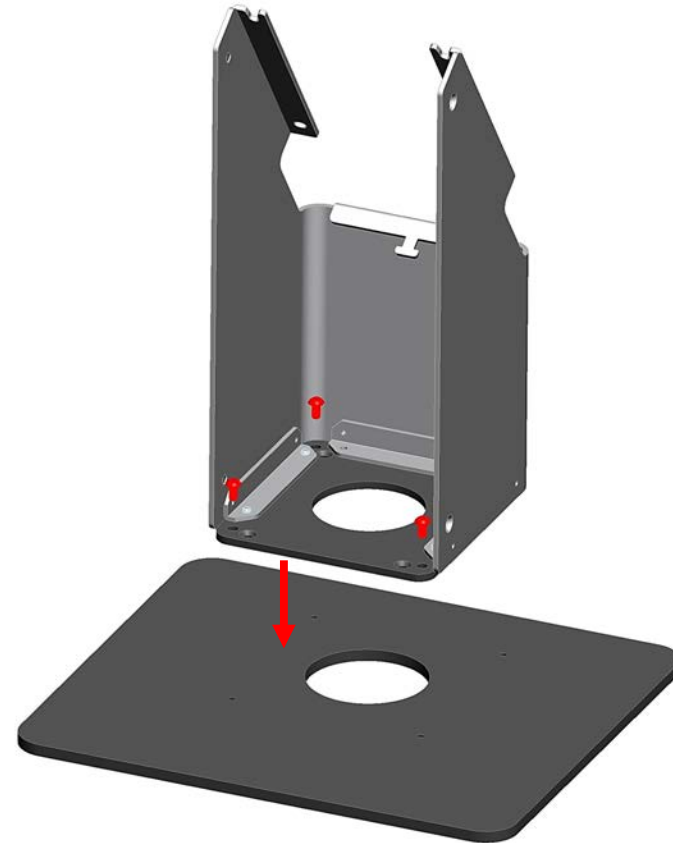
1



Remove and save (4) screws from stand with provided hex wrench, pull off rear cover.

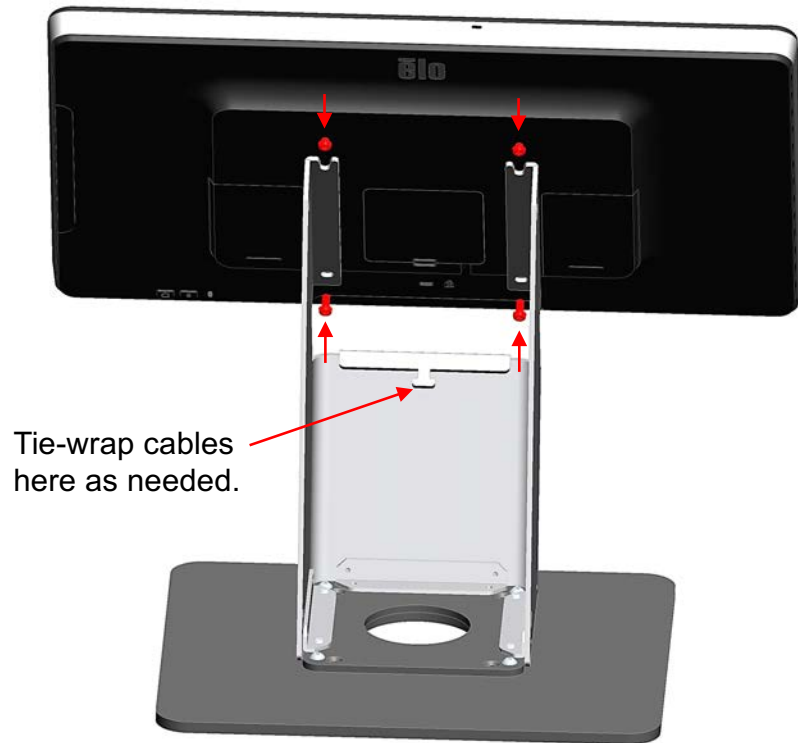
For Floor Stand, skip to step 5
For Countertop Stand, continue to step 2

2



Attach head to counter top plate using (4) screws from bag "1".

3



Tie-wrap cables here as needed.

Assemble (2) screws from bag "1" to the top two VESA mount holes on the display. Assemble the display to top slotted holes on stand. Add additional (2) screws from bag "1" to bottom VESA mount holes to secure the display.

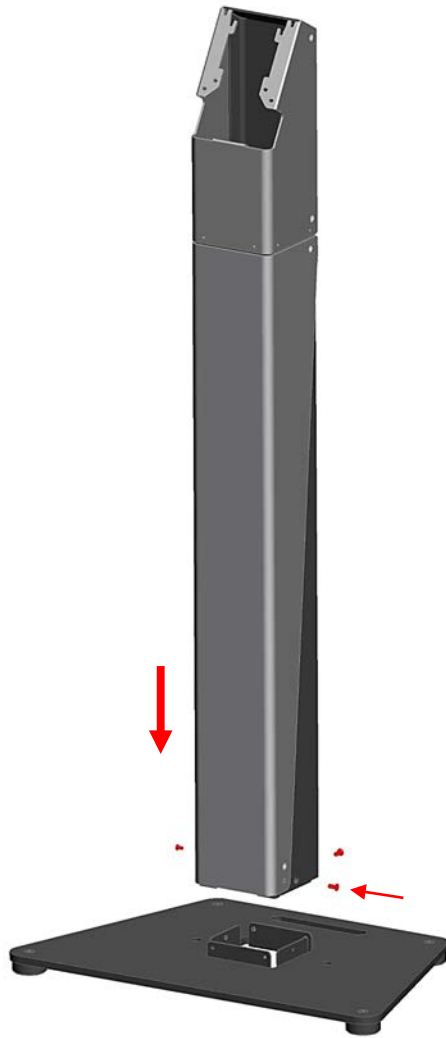
4



Route cables through bottom of stand. Attach back cover using screws saved from step 1.

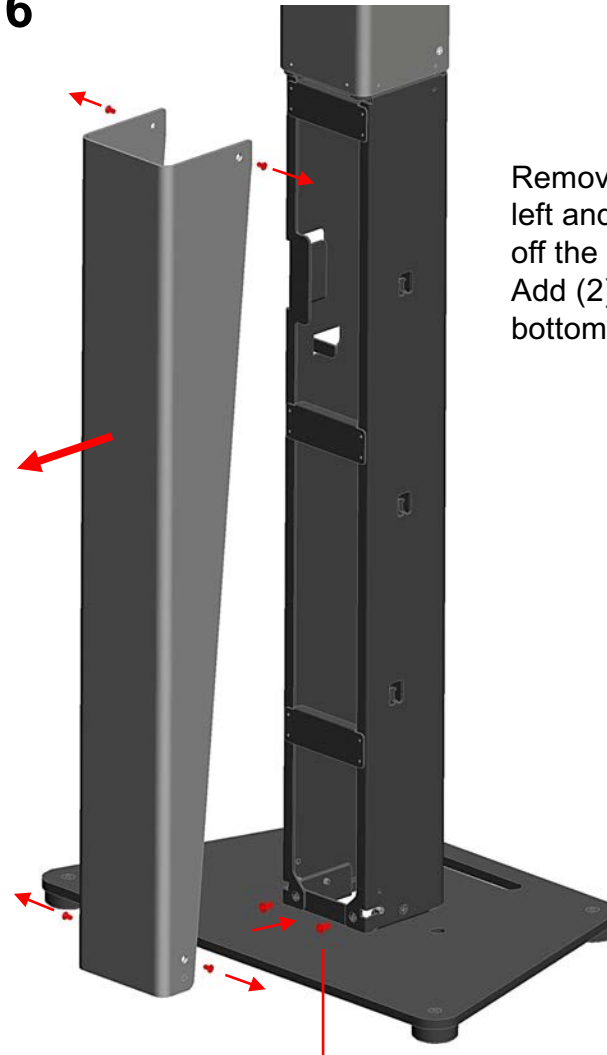
END for Countertop Stand

5



Assemble base plate to tower using (4) screws from bag "K".

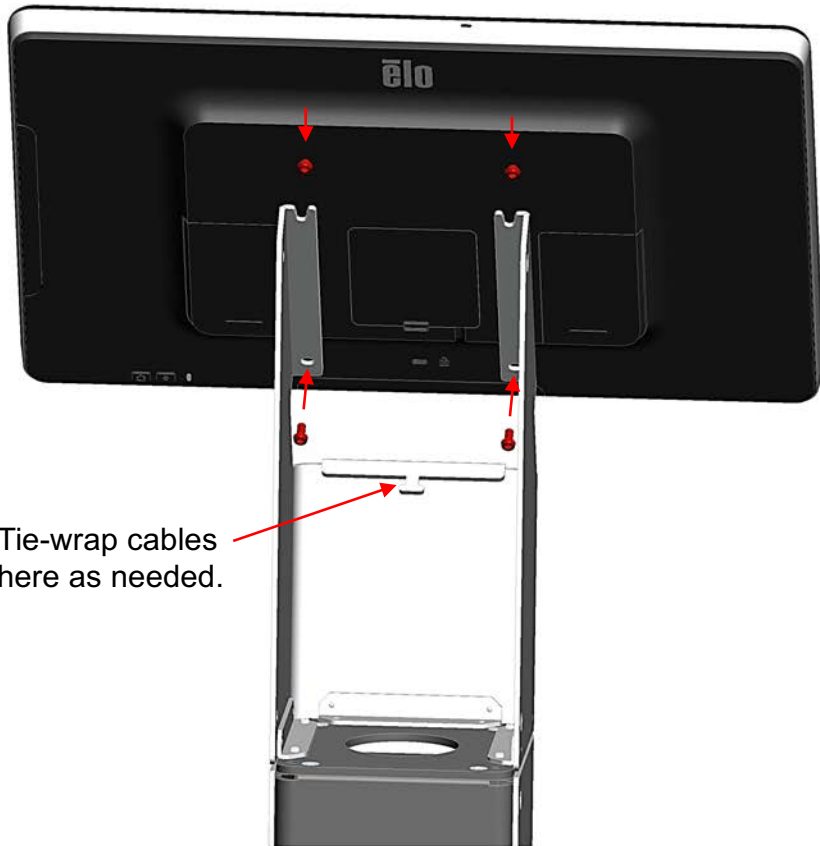
6



Remove and save (4) screws on the left and right of the stand tower. Pull off the silver cover and set aside. Add (2) more screws from bag "K" at bottom front of tower.

Add (2) more screws from bag "K".

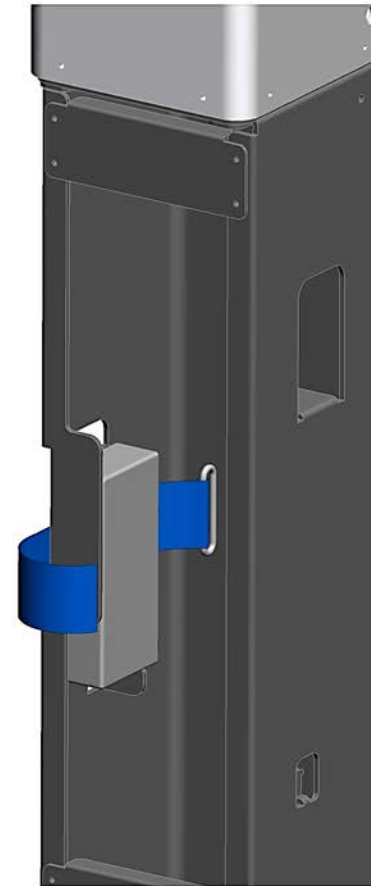
7



Tie-wrap cables here as needed.

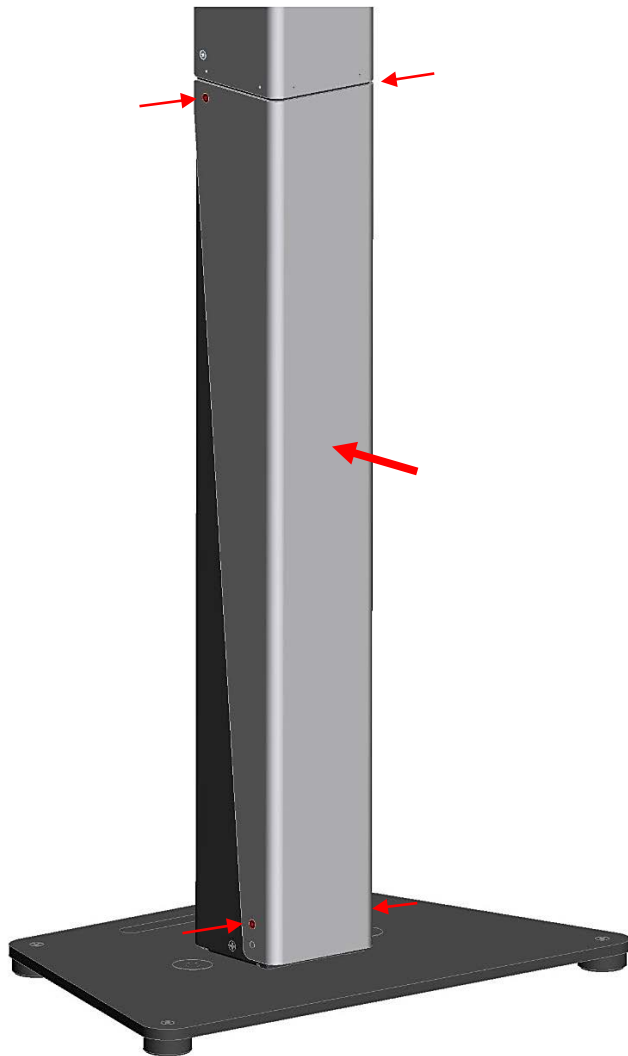
Assemble (2) screws from bag “I” to the top two VESA mount holes on the display. Assemble the display to top slotted holes on stand. Add additional (2) screws from bag “I” to bottom VESA mount holes to secure the display.

8



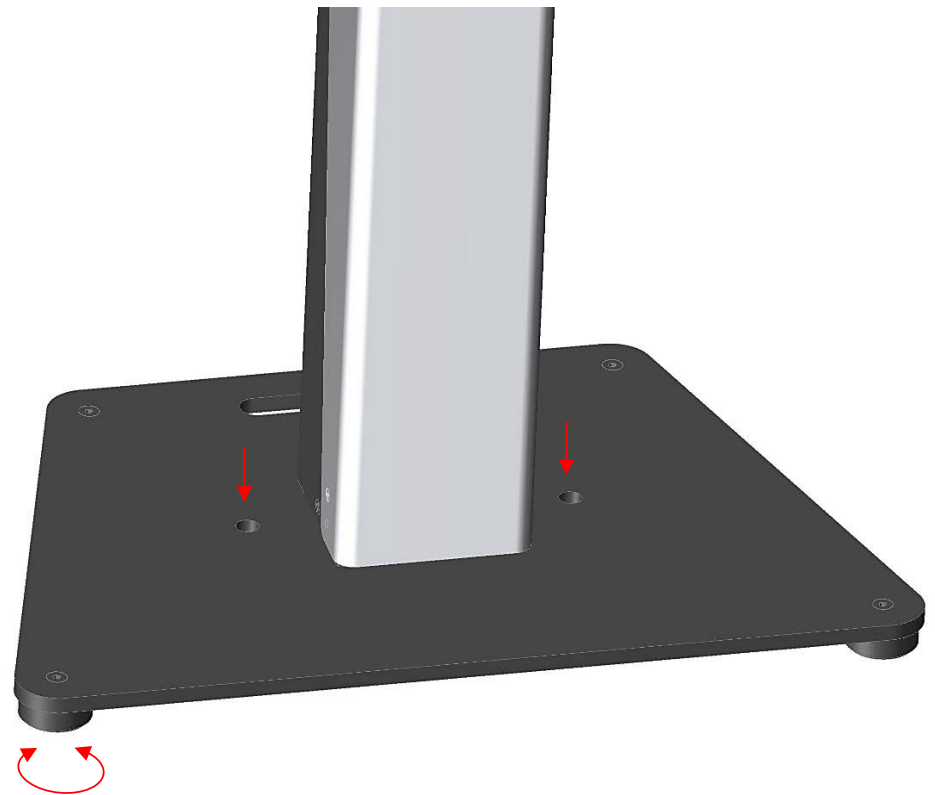
Add power brick into tower using provided strap. Route additional cables through base, tower, head as needed.

9



Replace floor stand cover and secure using (4) screws saved from step 6.

10



Two bolt holes (14mm [0.55"] dia. X2) are available on top of base to secure stand to floor. Feet can be adjusted in case of uneven surfaces.

END for Floor Stand