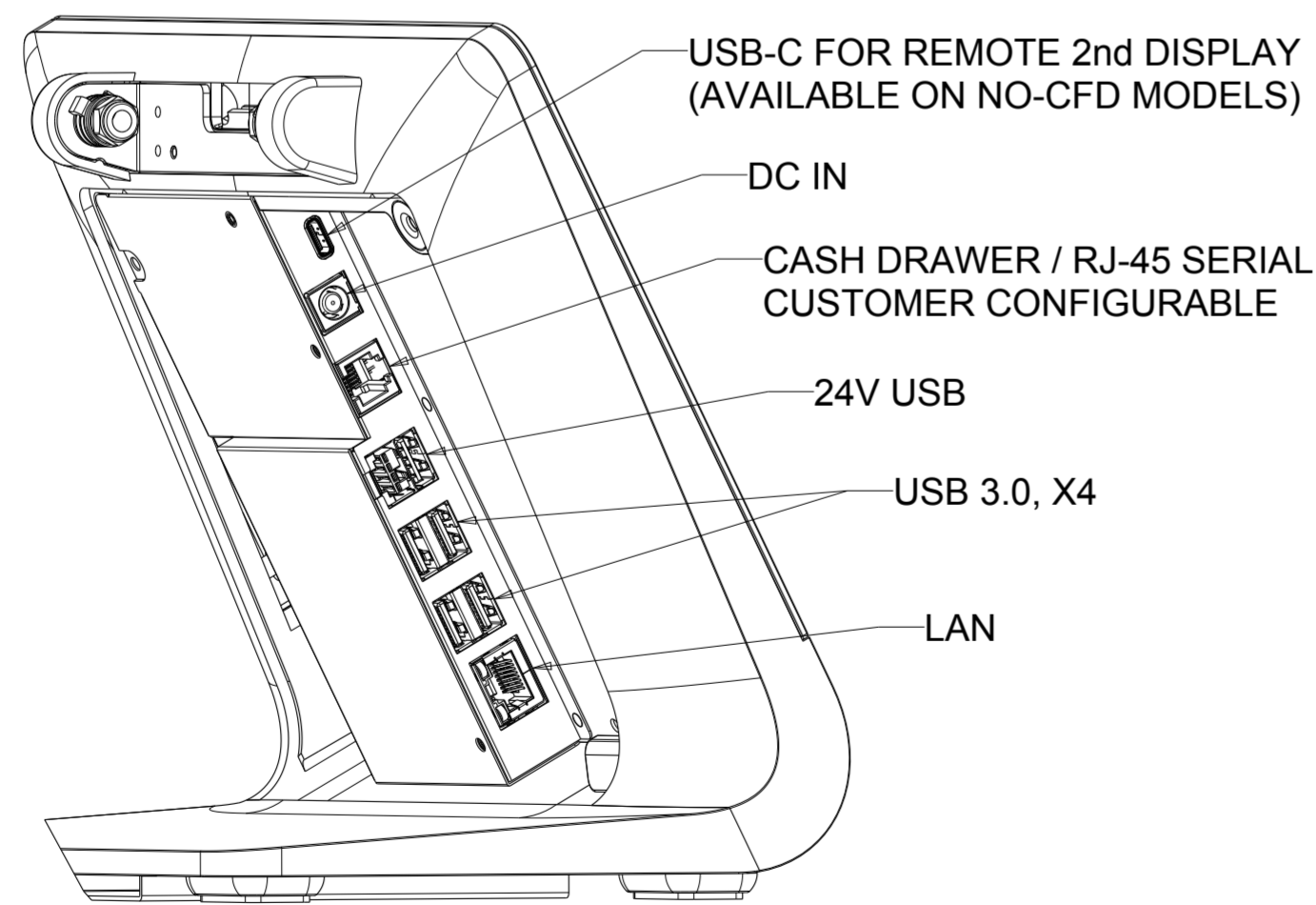
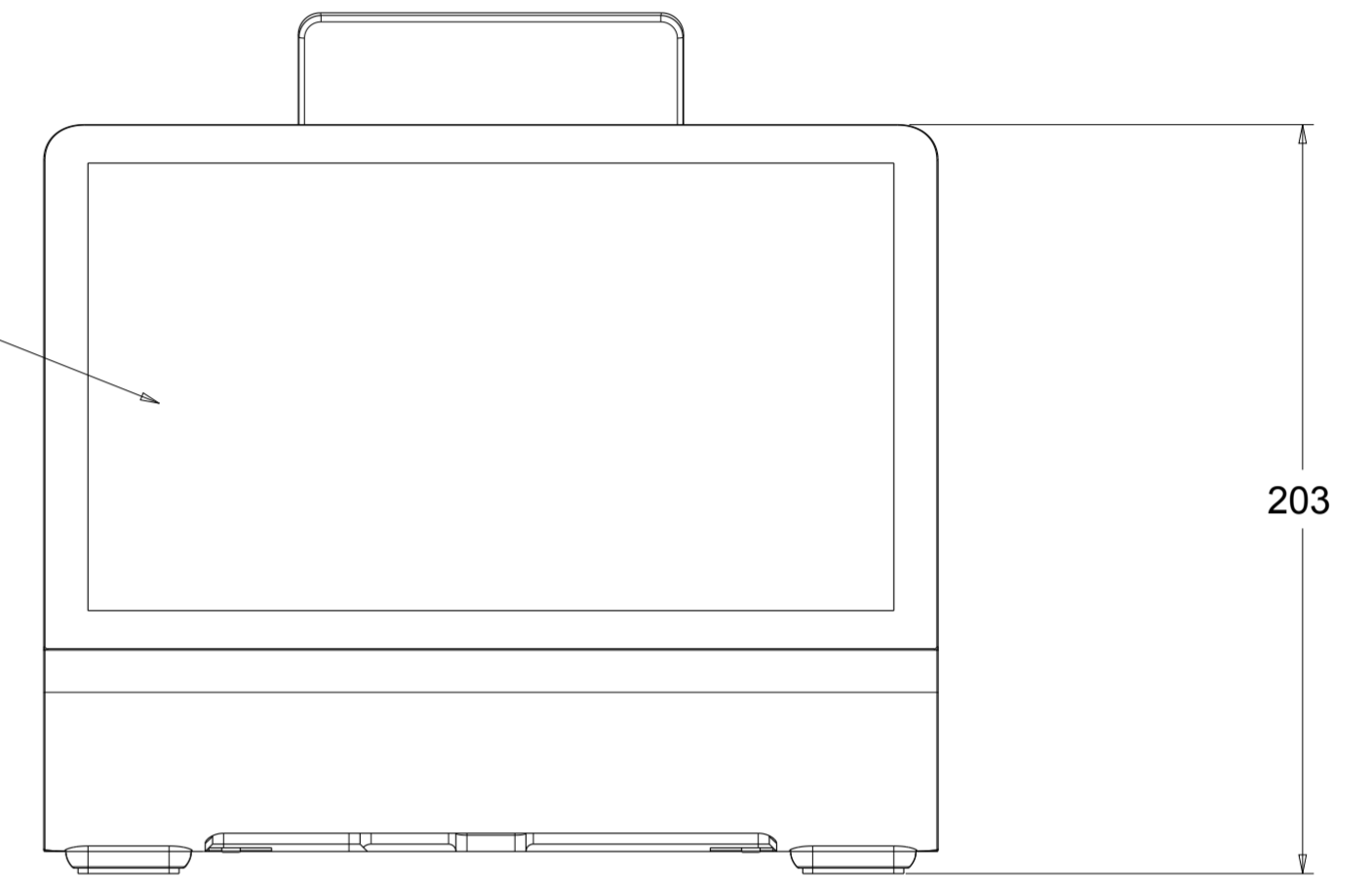
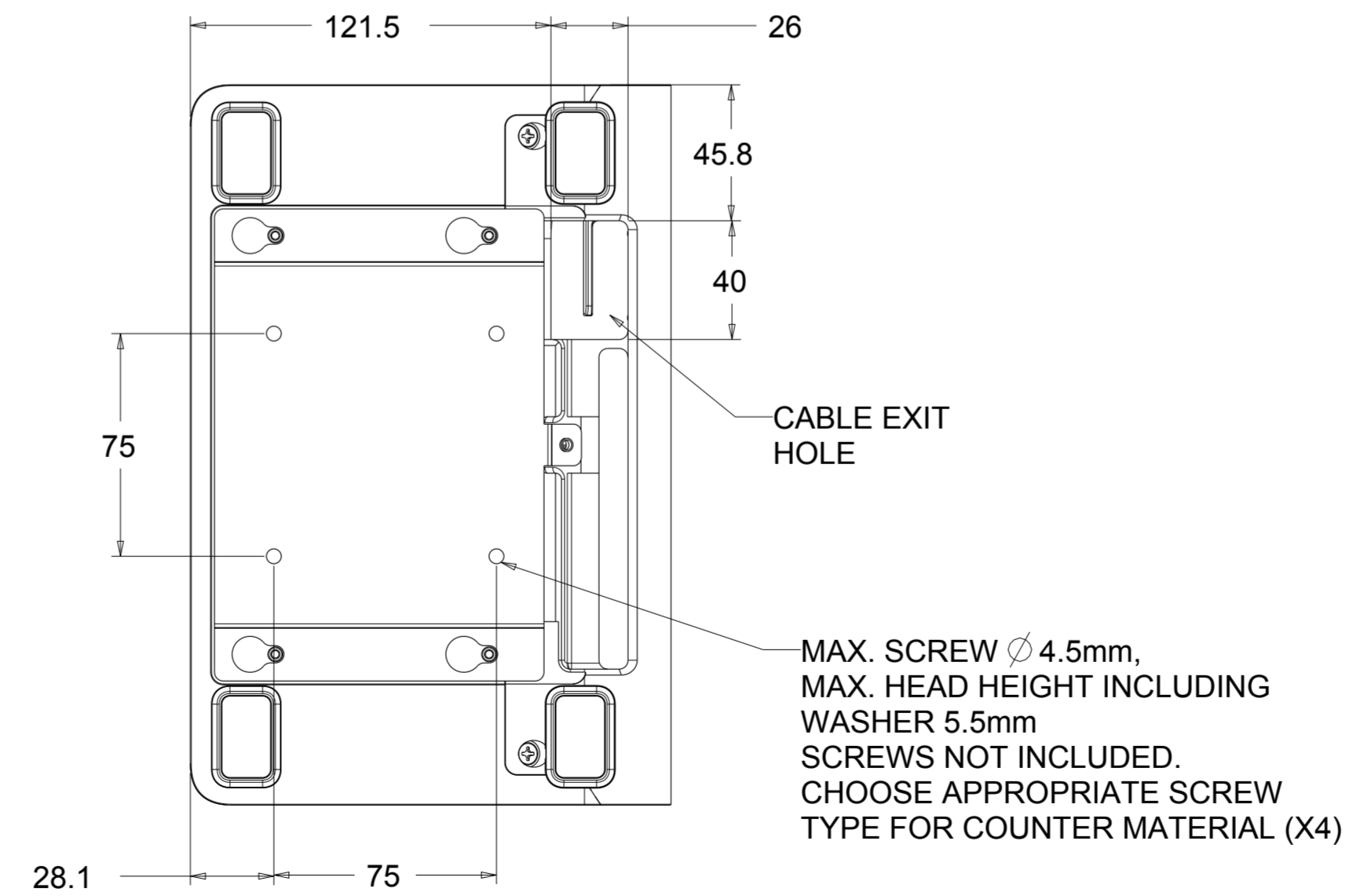


10.1" CUSTOMER FACING  
DISPLAY (CFD) SHOWN.  
NO CFD MODEL AVAILABLE.



I/O DEFINITION  
(CABLE COVER DOOR REMOVED)



COUNTER MOUNT OPTION  
(SEE QUICK INTSTALL GUIDE)