

Kit contents:



品号	DMS-SA19P-EXTME					
Model name	DMS-SA19P-EXTME					
部件名称	产品中有毒物质或元素的名称及含量					
Substance	Name and concentration of hazardous substances contained in product					
	铅	汞	镉	六价铬	多溴联苯	多溴二苯醚
	(Pb)	(Hg)	(Cd)	(Cr(VI))	(PBB)	(PBDE)
连接器 connector	X	O	O	O	O	O
二极管 Diode	X	O	O	O	O	O
电阻 Resistor	X	O	O	O	O	O
晶体振荡器 Crystal	X	O	O	O	O	O



www.elotouch.com

Quick Installation Guide

Expansion Module for ESY-X Series

Elo Touch Solutions Technical Support

Online self-help:
www.support.elotouch.com

North America

800-ELO-TOUCH
Tel +1 408 597 8000
Fax +1 408 597 8050
EloSales.NA@elotouch.com

Asia-Pacific

Tel +86 (21) 3329 1385
Fax +86 (21) 3329 1400
EloAsia@elotouch.com

Europe

Tel +32 (0)16 70 45 00
Fax +32 (0)16 70 45 49
elosales@elotouch.com

Latin America

Tel 786-923-0251
Fax 305-931-0124
EloSales.LATAM@elotouch.com

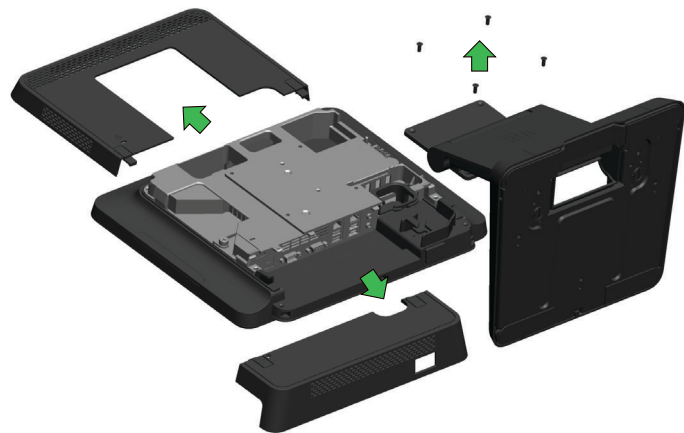
Revision C
P/N E001012

The information in this document is subject to change without notice. Elo Touch Solutions, Inc. and its Affiliates (collectively "Elo") makes no representations or warranties with respect to the contents herein, and specifically disclaims any implied warranties of merchantability or fitness for a particular purpose. Elo reserves the right to revise this publication and to make changes from time to time in the content hereof without obligation of Elo to notify any person of such revisions or changes.

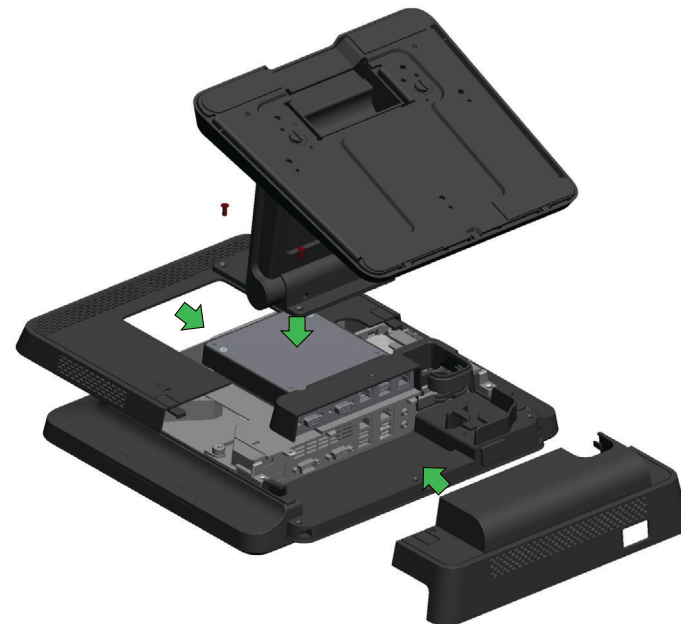
No part of this publication may be reproduced, transmitted, transcribed, stored in a retrieval system, or translated into any language or computer language, in any form or by any means, including, but not limited to, electronic, magnetic, optical, chemical, manual, or otherwise without prior written permission of Elo Touch Solutions, Inc.

Elo (logo) and Elo Touch Solutions are trademarks of Elo and its Affiliates.

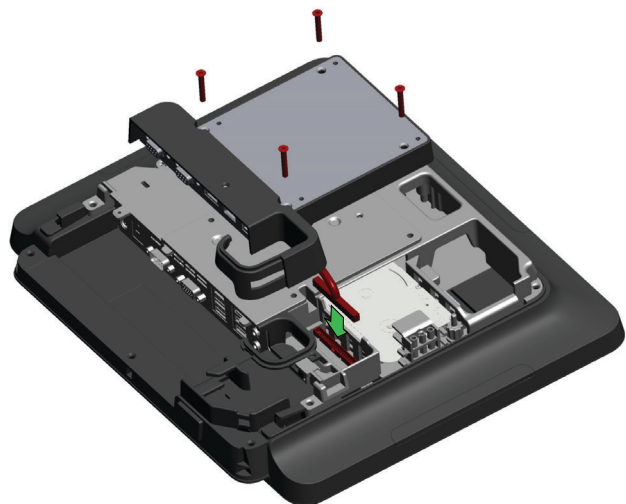


Remove shield cover, cable cover, and stand. Retain the 4 screws for the stand.



Reinstall cable cover, shield cover, and stand.



Connect module cable to computer, fasten with 4 screws included with expansion module kit.