



Printer Shelf

Versatile Solution for Kiosk Printing

Always leading and always innovating, Star Micronics is proud to offer an all-steel printer shelf attachment for an affordable and flexible kiosk printing solution. The printer shelf is compatible with the mUnite Floor Kiosk Stand, Tri-Mount, and Mount 18 tablet display solutions.

The printer shelf attachment allows businesses to easily set up self-service stations anywhere, providing customers with a seamless and convenient experience. With the ability to securely mount a thermal receipt printer on top of the shelf, users can easily print receipts or labels for customers below a tablet that is fastened onto the stand.

Constructed of durable steel, the printer shelf attachment offers a sturdy and long-lasting solution for printing needs. It is also easy to install, making it an ideal solution for businesses that need to set up a kiosk or self-service station quickly.

Key Features:

- Creates a cost-effective & versatile self-service kiosk station
- Printer is securely fastened
- Made of durable steel
- Easy installation & removal
- Compatible with Kiosk Floor Stand, Mount 18, & Tri-Mount
- Comes in black or white finish



Shown paired with Mount18 and mEnclosure Mini.

Not included with Printer Shelf.



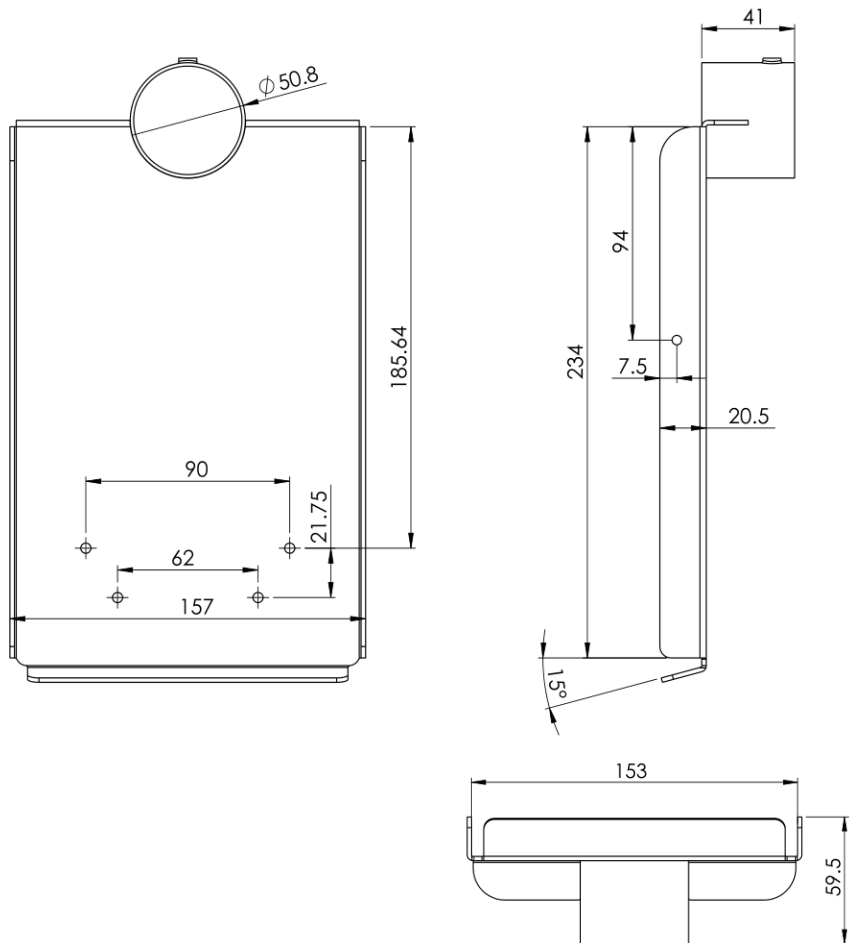
Printer Shelf



Specifications

Dimensions:	(L x W x H) mm: 300 x 200 x 297 (L x W x H) inch: 11.8 x 7.9 x 11.8
Material	Steel metal Thickness: 2 mm
Color	Paint applied via epoxy powder <ul style="list-style-type: none"> • Black RAL 9006 SAND • White RAL 9016 SAND
Included items	<ul style="list-style-type: none"> • Printer Shelf • Inner collar • Printer Shelf User Manual (rev. 1.0)
Compatible with the following mUnite Stands	<ul style="list-style-type: none"> • Floor Stand • Mount 18 • Tri-Mount

Description	Part Numbers
mUnite Printer Shelf WHT	37954650
mUnite Printer Shelf BLK	37954660



Shown paired with Mount18 and mEnclosure Mini.

Not included with Printer Shelf.

03/20/2023