



Tablet, Stand, and Printer are not included

Universal mEnclosure

Part of the mPOS Solution Stand Family

Always leading, and always innovating, Star Micronics is excited to offer the Universal mEnclosure universal tablet enclosure. With expanding arms and VESA mounting, the Universal mEnclosure effortlessly accommodates multiple sizes and types of tablets.

Designed to be future-proof, the Universal mEnclosure works with all mUnite tablet stand models and nearly any tablet including Android, iOS, and Windows tablets ranging in size from 232mm x 169mm (iPad Air 2 9.7) to 280mm x 214mm (iPad Pro 12.9).

No longer does purchasing a new tablet mean you need to buy a new enclosure, as well.

The Universal mEnclosure allows the tablet to be mounted horizontally or vertically, and when paired with an mUnite stand the cashier can flip the tablet for customer use. Additionally, the enclosure's locking arms combined with a single-key design help to secure the tablet and prevent theft.

Available in a sleek black finish, the enclosure features clean cable management that hides the messy look of cables as well as a felt layer to prevent the back of the tablet from being scratched.

Features

- Expanding Arms and VESA Mountable: Works with Multiple Sizes of Tablets
- Multiple Mounting Options: Horizontal or Vertical
- Locking Arms: Secure Tablet and Prevent Theft
- Clean Cable Management: Sleek, Minimalistic Design
- Future-Proof: A New Tablet Doesn't Mean You Need to Buy a New Enclosure

Perfect for any market, including retail, hospitality, online ordering, and more

Part of Star's Full Line of POS Accessories

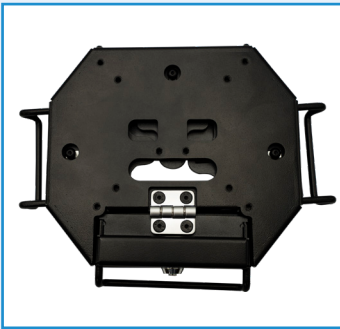
Star Micronics is proud to offer a complete range of POS hardware solutions, including a wide variety of POS accessories like scanners, customer displays, tablet stands and enclosures, and more.



The Universal mEnclosure Expandable Arms



The Universal mEnclosure Back



The Universal mEnclosure Back



Universal mEnclosure Specifications

Weight	3.3 lbs / 1.5kg
Dimensions	When Closed: 219mm (W) x 172mm (D) x 37mm (Thickness) When Open: 315mm (W) x 229mm (D) x 37mm (Thickness)
Pipe Diameter	5mm
Face Plate Thickness	1.5mm; 2.5mm
Mounting Options	Compatible with VESA mount (75mm, 100mm) Works with any tablet Optional stand and printer mounting holes Optional VESA mount for second screen (customer-facing)
Tablet Compatibility Dimensions	Enclosure is compatible with all tablets equal or smaller (W)x(H)x(D) than: <ul style="list-style-type: none"> • 290mm x 212mm x 9mm • 11.41" x 8.34" x 0.354" Enclosure is compatible with larger tablets which are equal or smaller than (W)x(H)x(D) than: <ul style="list-style-type: none"> • 295mm x 215mm x 6.5mm • 11.61" x 8.46" x 0.255"
Material	Powder-Coated Steel
Color	Black, Applied via Epoxy Powder
Lock Key	<ul style="list-style-type: none"> • Push Lock with 2 Keys • Installed by Lock Nut • 2 Positions: Closed and Manual Open • Single Combinations: 1 Key Works for all Tablet Stands
Included in Box	<ul style="list-style-type: none"> • 2 pcs: Keys • 4 pcs: Screws for VESA Installation • 1 pcs: TORX Allen Key • 1 pc: Setup Guide



**Universal
mEnclosure**

mENCLOSURE UNIVERSAL BLK
The Universal mEnclosure (Tablet, Stand and Printer sold separately)

Part Number

37950830

If you don't find your enclosure above, please give us a call: (800) 782-7636 x107

07/09/2021

Copyright © 2021 Star Micronics America, Inc. All rights reserved. Star Micronics and the Star Logo are trademarks of Star Micronics America, Inc.