

PM45 / PM45C / PM65 INDUSTRIAL PRINTER

Configuration Guide



PM45C SHORT DOOR
4-INCH



PM45C LONG DOOR
4-INCH



PM45C MEGA DOME DOOR
4-INCH



PM45
4-INCH



PM65
6-INCH

THE
FUTURE
IS
WHAT
WE
MAKE IT

Honeywell

TABLE OF CONTENTS

<p>1 TABLE OF CONTENTS</p> <p>2 PM45 4-INCH PRINTING OPTIONS</p> <p>3 PM45 4-INCH MEDIA SPECIFICATIONS FIXED MEDIA HANGER VS ROTATING MEDIA HANGER FULL BATCH REWINDER</p> <p>6 PM45 4-INCH FEATURE OVERVIEW TEAR OFF FULL TOUCH DISPLAY - THERMAL TRANSFER FULL TOUCH DISPLAY - THERMAL TRANSFER - WI-FI/ BLUETOOTH (ROW) FULL TOUCH DISPLAY - THERMAL TRANSFER - WI-FI/ BLUETOOTH (NA) ICON DISPLAY - THERMAL TRANSFER ICON DISPLAY - DIRECT THERMAL REWINDER + LABEL TAKEN SENSOR FULL TOUCH DISPLAY - THERMAL TRANSFER FULL TOUCH DISPLAY - DIRECT THERMAL FULL TOUCH DISPLAY - PARALLEL INTERFACE - THERMAL TRANSFER FULL TOUCH DISPLAY - INDUSTRIAL INTERFACE - THERMAL TRANSFER FULL TOUCH DISPLAY - APPLICATOR INTERFACE - THERMAL TRANSFER FULL TOUCH DISPLAY - THERMAL TRANSFER - RFID (AZ) - WI-FI/ BLUETOOTH (ROW) FULL TOUCH DISPLAY - THERMAL TRANSFER - RFID (EU) FULL TOUCH DISPLAY - THERMAL TRANSFER - WI-FI/ BLUETOOTH (NA) - WWAN - RFID (NA)</p> <p>19 PM45G 4-INCH FEATURE OVERVIEW REWINDER + LABEL TAKEN SENSOR FULL TOUCH DISPLAY - PARALLEL INTERFACE - THERMAL TRANSFER FULL BATCH REWINDER LABEL TAKEN SENSOR - FULL TOUCH DISPLAY - PARALLEL INTERFACE - THERMAL TRANSFER</p> <p>21 PM45 4-INCH CONFIGURATION MAP INDUSTRIAL PRINTER</p> <p>22 PM45C 4-INCH PRINTING OPTIONS</p> <p>23 PM45C 4-INCH MEDIA SPECIFICATIONS RIBBON REWINDER CAPACITY SHORT DOOR, LONG DOOR AND MEGA DOME DOOR LABEL CAPACITY</p> <p>26 PM45C 4-INCH SHORT DOOR FEATURE OVERVIEW TEAR OFF FULL TOUCH DISPLAY - THERMAL TRANSFER REWINDER + LABEL TAKEN SENSOR FULL TOUCH DISPLAY - THERMAL TRANSFER</p> <p>28 PM45C 4-INCH LONG DOOR FEATURE OVERVIEW TEAR OFF FULL TOUCH DISPLAY - THERMAL TRANSFER ICON DISPLAY - THERMAL TRANSFER ICON DISPLAY - DIRECT THERMAL REWINDER + LABEL TAKEN SENSOR FULL TOUCH DISPLAY - DIRECT THERMAL FULL TOUCH DISPLAY - DIRECT THERMAL - WI-FI/ BLUETOOTH (ROW) FULL TOUCH DISPLAY - THERMAL TRANSFER ICON DISPLAY - THERMAL TRANSFER</p>	<p>35 PM45C 4-INCH MEGA DOME DOOR FEATURE OVERVIEW TEAR OFF FULL TOUCH DISPLAY - THERMAL TRANSFER ICON DISPLAY - THERMAL TRANSFER REWINDER + LABEL TAKEN SENSOR FULL TOUCH DISPLAY - THERMAL TRANSFER</p> <p>38 PM45C 4-INCH CONFIGURATION MAP COMPACT INDUSTRIAL PRINTER</p> <p>39 PM65 6-INCH PRINTING OPTIONS</p> <p>40 PM65 6-INCH MEDIA SPECIFICATIONS FIXED MEDIA HANGER VS ROTATING MEDIA HANGER</p> <p>42 PM65 6-INCH FEATURE OVERVIEW TEAR OFF FULL TOUCH DISPLAY - THERMAL TRANSFER FULL TOUCH DISPLAY - THERMAL TRANSFER - WI-FI/ BLUETOOTH (ROW) FULL TOUCH DISPLAY - THERMAL TRANSFER - WI-FI/ BLUETOOTH (NA) ICON DISPLAY - THERMAL TRANSFER ICON DISPLAY - DIRECT THERMAL REWINDER + LABEL TAKEN SENSOR FULL TOUCH DISPLAY - THERMAL TRANSFER FULL TOUCH DISPLAY - THERMAL TRANSFER - WI-FI/ BLUETOOTH (ROW) FULL TOUCH DISPLAY - THERMAL TRANSFER - WI-FI/ BLUETOOTH (NA) FULL TOUCH DISPLAY - THERMAL TRANSFER - RFID (EU) FULL TOUCH DISPLAY - THERMAL TRANSFER - RFID (NA) FULL TOUCH DISPLAY - PARALLEL INTERFACE- THERMAL TRANSFER</p> <p>53 PM65 6-INCH CONFIGURATION MAP INDUSTRIAL PRINTER</p> <p>54 HONEYWELL EDGE SERVICES GOLD REPAIR SERVICES - 3 YEAR PLATINUM REPAIR SERVICES - 3 YEAR GOLD REPAIR SERVICES - 5 YEAR PLATINUM REPAIR SERVICES - 5 YEAR PM45 / PM45C/ PM65 - REPAIR SERVICES COVERAGE</p> <p>57 ACCESSORIES PM45 / PM45C/ PM65 - I/O CARDS PM45 / PM45C/ PM65 - WI-FI AND BLUETOOTH CARD PM45/ PM45C/ PM65 - WWAN 4G LTE - CELLULAR MODEM PM45 4-INCH CUTTER PM45C 4-INCH CUTTER PM65 6-INCH CUTTER PM45/ PM45C 4-INCH ROTATION HANGER PM65 6-INCH ROTATION HANGER PM45C DOORS SERVICE UPGRADE KIT PM45/ PM45C 4-INCH INTERNAL REWINDER + LABEL TAKEN SENSOR PM65 6-INCH INTERNAL REWINDER + LABEL TAKEN SENSOR PM45 FULL BATCH REWINDER CONSUMABLES AND CABLES</p> <p>69 MISCELLANEOUS AC CORDS</p>	<p>70 APPENDIX PM45/ PM45C/ PM65 VS PM43 ACCESSORIES FRONT DISPLAY - COMPARE PM45 TO PM43 MEDIA COMPARTMENT - COMPARE PM45 TO PM43 CONNECTIVITY - COMPARE PM45 TO PM43</p>
---	--	---

PM45 4-INCH PRINTING OPTIONS



Tear Off

Most commonly used, print any number of labels and simply tear the labels off from the printer at the end of the print job. This method of printing is available on any PM45 configuration.



Cutter

A cutter can be added to any configuration of PM45, simply cutting between labels, or at intervals on continuous media. This method of printing is available on any PM45 configuration.



Full Batch Rewinder

The Full Batch Rewinder accessory can rewind a full of 8" media roll. The accessory comes with a bottom extended enclosure, internal rewind mechanism and a cut out base.



Peel & Present (Standard Self-Strip using Tear Bar)

Self-Strip prints and presents only one label at a time already peeled from the backing strip/ liner, the next label will only be printed once the original label is removed from the media path. Not applicable for all media types, use Peel Off Kit for best results.
PM45Axxxxx3xxxx PM45 with Internal Rewind + LTS



Peel & Present (Enhanced Self-Strip with Peel Off Kit)

Self-Strip prints and presents only one label at a time already peeled from the backing strip/ liner, the next label will only be printed once the original label is removed from the media path.
PM45Axxxxx3xxxx PM45 with Internal Rewind + LTS
50180196-001 Label Dispenser kit



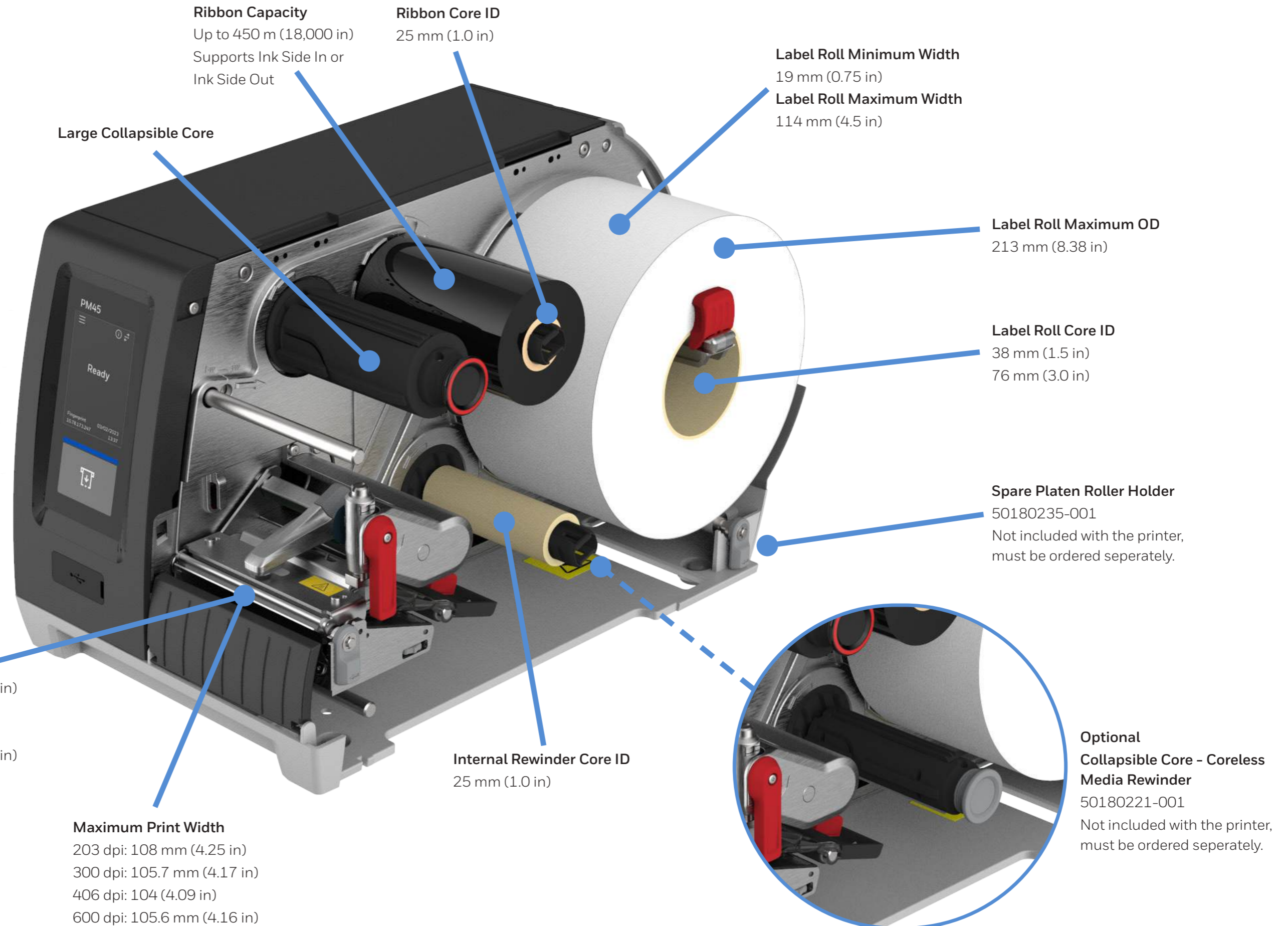
Batch Plate with Internal Rewinder

The Batch Plate with Internal Rewinder is used to pre-print labels and rewind them inside the PM45. Depending on the label size up to 1/3 of a full roll can be stored inside the PM45. For full roll to roll batch printing use the Full Batch Rewinder.
PM45Axxxxx3xxxx PM45 with Internal Rewind + LTS

ID = Inside Diameter
OD = Outside Diameter

PM45 4-INCH MEDIA

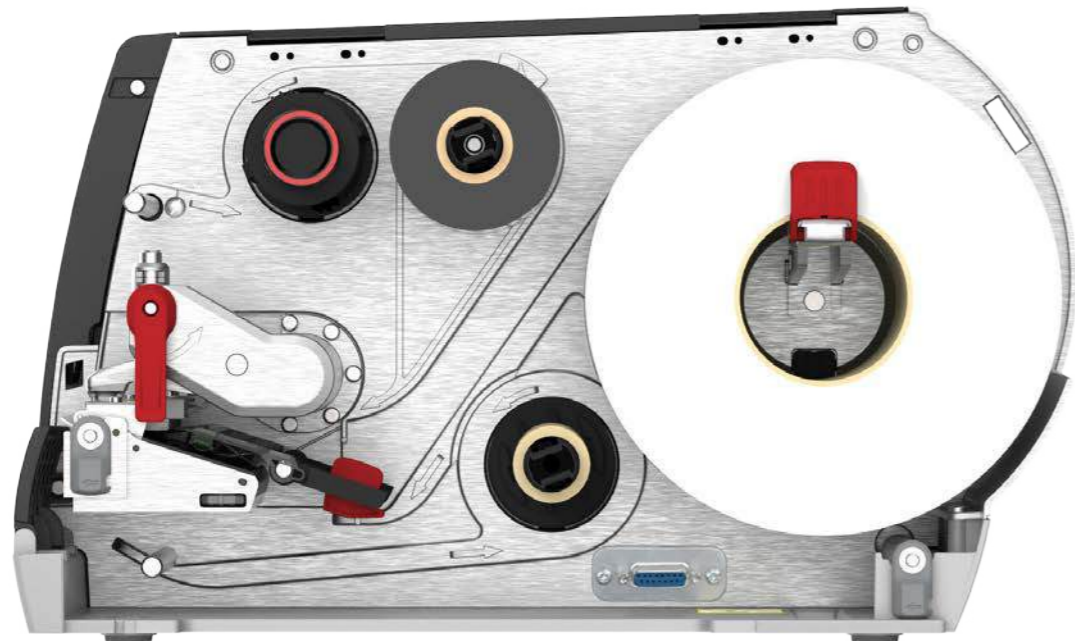
Specifications



ID = Inside Diameter
OD = Outside Diameter

PM45 4-INCH MEDIA

Fixed Media Hanger vs Rotating Media Hanger



Fixed Media Hanger + Label Roll Core 76 mm (3.0 in) ID

Shown with Label Roll 213 mm (8.38 in) OD

Typical length of material with typical thickness of labels ~ 195 m



Rotating Media Hanger + Label Roll Core 76 mm (3.0 in) ID

Shown with Label Roll 213 mm (8.38 in) OD

Typical length of material with typical thickness of labels ~ 195 m



Fixed Media Hanger + Label Roll Core 38 mm (1.5 in) ID

Shown with Label Roll 213 mm (8.38 in) OD

Typical length of material with typical thickness of labels ~ 220 m



Rotating Media Hanger + Label Roll Core 38 mm (1.5 in) ID

Shown with Label Roll 213 mm (8.38 in) OD

Typical length of material with typical thickness of labels ~ 220 m

ID = Inside Diameter
OD = Outside Diameter

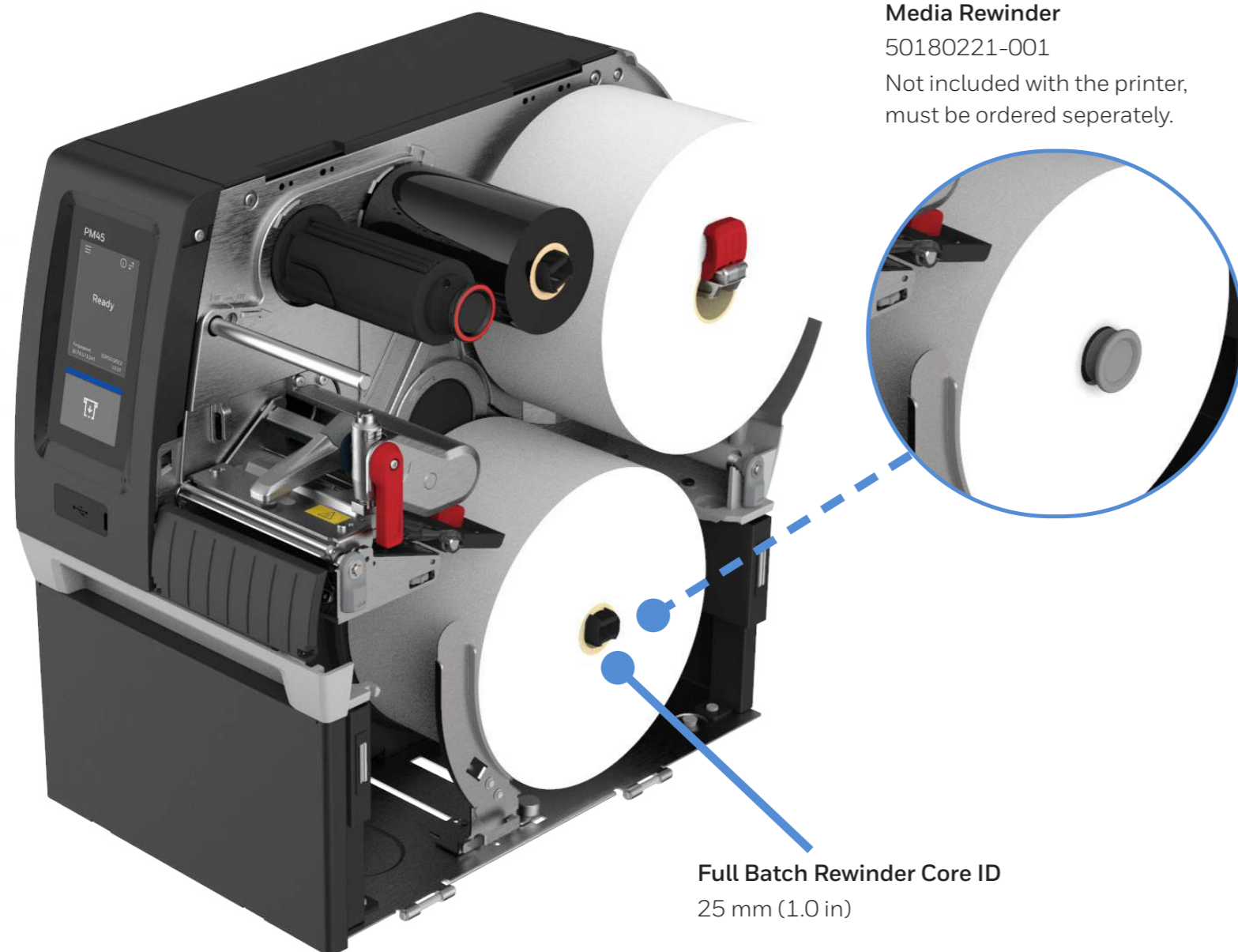
PM45 4-INCH MEDIA

Full Batch Rewinder

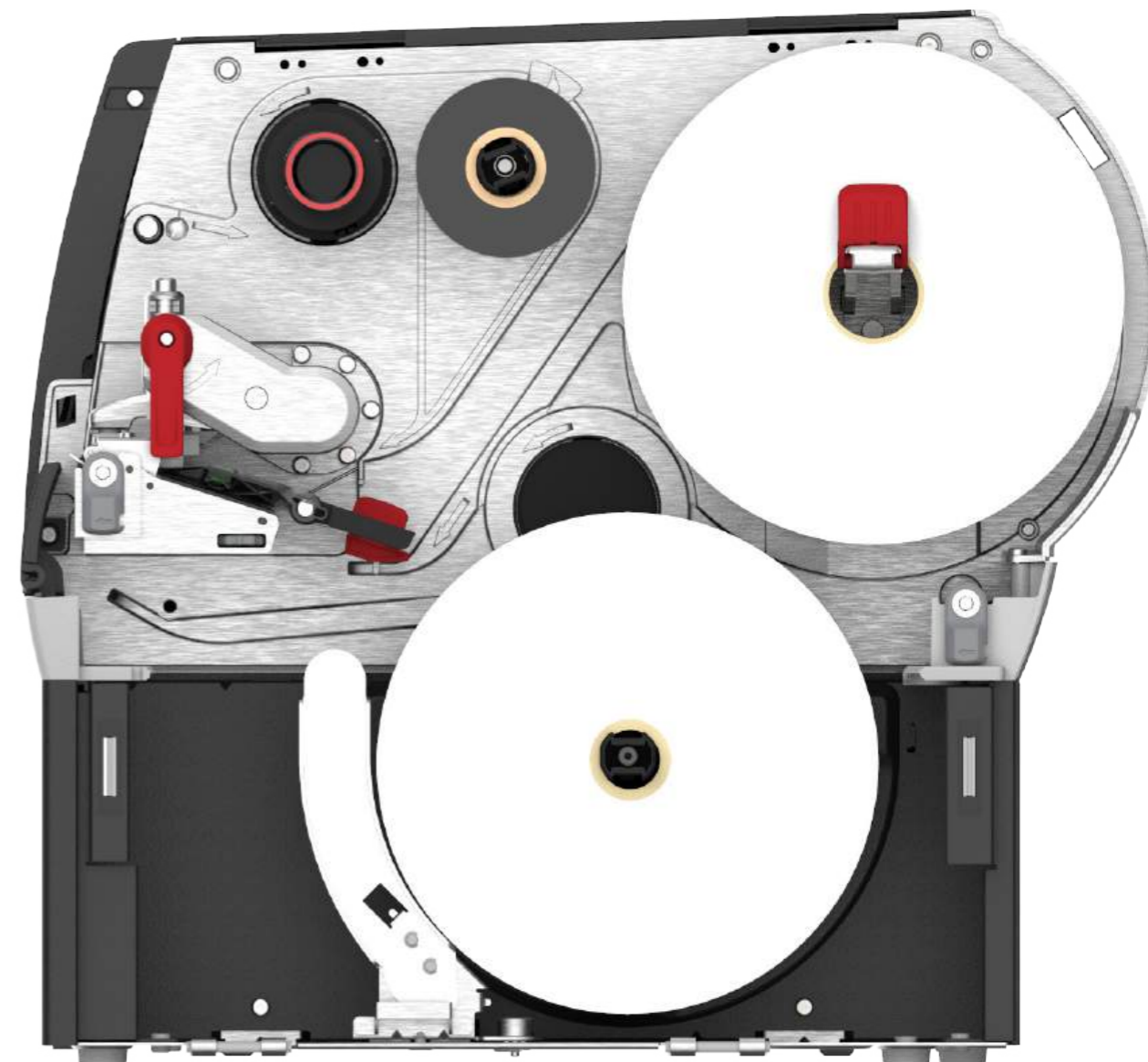
Optional Collapsible Core - Coreless Media Rewinder

50180221-001

Not included with the printer,
must be ordered separately.



Full Batch Rewinder Core ID
25 mm (1.0 in)



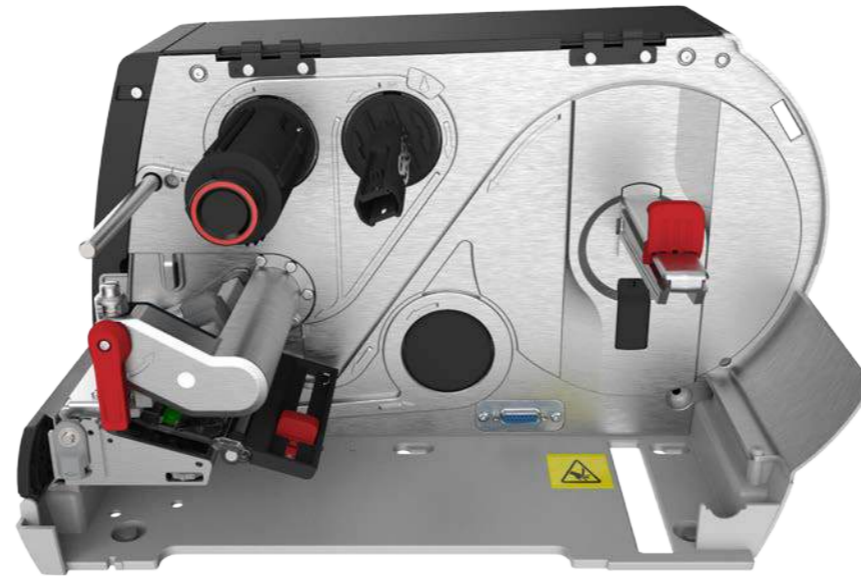
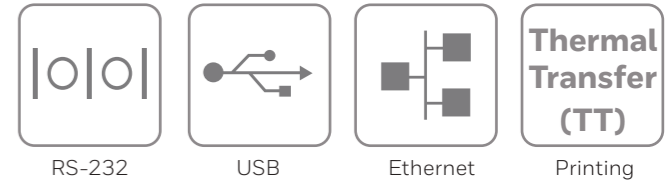
Fixed Media Hanger + Label Roll Core 38 mm (1.5 in) ID

Media Supply: Shown with Label Roll 213 mm (8.38 in) OD
Typical length of material with typical thickness of labels ~ 220 m

Media Rewinder: Shown with Label Roll 213 mm (8.38 in) OD

PM45 4-INCH FEATURE OVERVIEW

Tear Off - Full Touch Display - Thermal Transfer



PM45A - Full Touch - Thermal Transfer - 203 DPI

PM45A10000000200 PM45A, Full Touch Display, Ethernet, Fixed Hanger, Real Time Clock (RTC), Thermal Transfer (TT), 203 DPI, No Power Cord

PM45A - Full Touch - Thermal Transfer - 300 DPI

PM45A10000000300 PM45A, Full Touch Display, Ethernet, Fixed Hanger, Real Time Clock (RTC), Thermal Transfer (TT), 300 DPI, No Power Cord

PM45A - Full Touch - Thermal Transfer - 406 DPI

PM45A10000000400 PM45A, Full Touch Display, Ethernet, Fixed Hanger, Real Time Clock (RTC), Thermal Transfer (TT), 406 DPI, No Power Cord

PM45A - Full Touch - Thermal Transfer - 600 DPI

PM45A10000000600 PM45A, Full Touch Display, Ethernet, Fixed Hanger, Real Time Clock (RTC), Thermal Transfer (TT), 600 DPI, No Power Cord

Included in the box:

- PM45A
- PM45 Regulatory Sheet (PM45-ML-RS-01)
- Collapsible Core



- No Power Cord

Note: Not all printer combinations are available in every region. Check your local Price Book to see which part numbers are available for sale.

Honeywell Repair Services

SVCPM45-SG3N

PM45 / PM45C, Edge Service, Gold Maintenance Contract, 3 Year, New Contract

ADD SVCPRINTHEAD-PM3

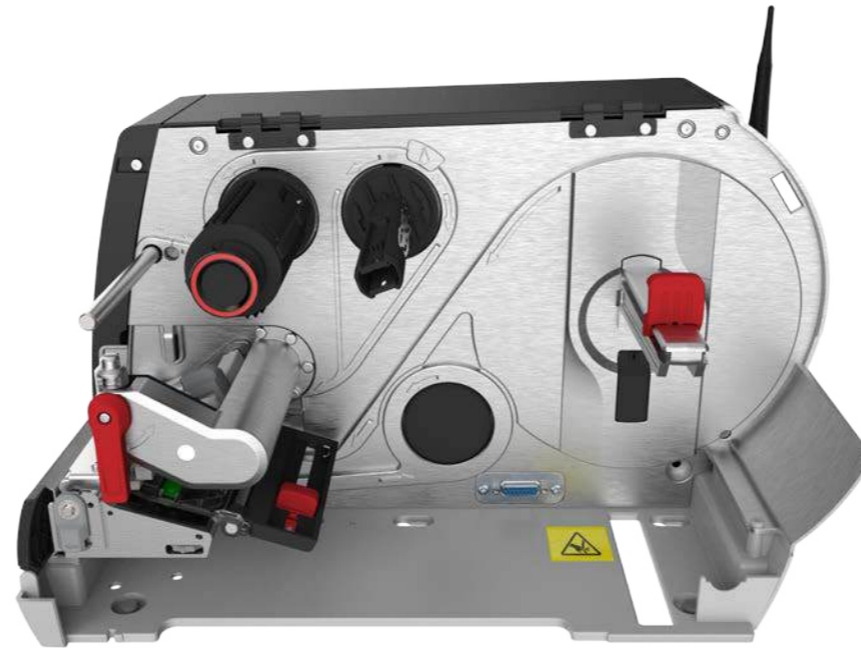
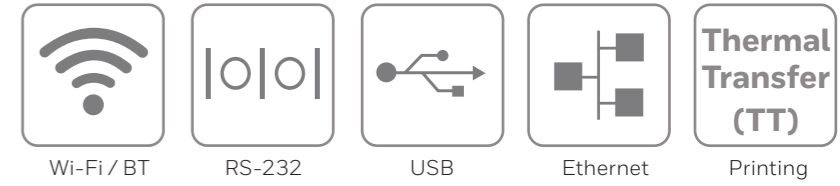
AddOn, Edge Service, Printhead Refresh Service, 203 or 300 DPI, 3-Year Contract

ADD SVCACC-PRN3

AddOn, Edge Service, Accessory Service, Printer, 3 Year

PM45 4-INCH FEATURE OVERVIEW

Tear Off - Full Touch Display - Thermal Transfer - Wi-Fi/ Bluetooth (ROW)



PM45A - Full Touch - Wi-Fi/ Bluetooth (ROW) - Thermal Transfer - 203 DPI

PM45A12000000200 PM45A, Full Touch Display, Ethernet, Bluetooth V5.0, Wi-Fi Rest of World (ROW) IEEE 802.11 a/b/g/n/ac, Fixed Hanger, Real Time Clock (RTC), Thermal Transfer (TT), 203 DPI, No Power Cord

PM45A - Full Touch - Wi-Fi/ Bluetooth (ROW) - Thermal Transfer - 300 DPI

PM45A12000000300 PM45A, Full Touch Display, Ethernet, Bluetooth V5.0, Wi-Fi Rest of World (ROW) IEEE 802.11 a/b/g/n/ac, Fixed Hanger, Real Time Clock (RTC), Thermal Transfer (TT), 300 DPI, No Power Cord

PM45A - Full Touch - Wi-Fi/ Bluetooth (ROW) - Thermal Transfer - 406 DPI

PM45A12000000400 PM45A, Full Touch Display, Ethernet, Bluetooth V5.0, Wi-Fi Rest of World (ROW) IEEE 802.11 a/b/g/n/ac, Fixed Hanger, Real Time Clock (RTC), Thermal Transfer (TT), 406 DPI, No Power Cord

PM45A - Full Touch - Wi-Fi/ Bluetooth (ROW) - Thermal Transfer - 600 DPI

PM45A12000000600 PM45A, Full Touch Display, Ethernet, Bluetooth V5.0, Wi-Fi Rest of World (ROW) IEEE 802.11 a/b/g/n/ac, Fixed Hanger, Real Time Clock (RTC), Thermal Transfer (TT), 600 DPI, No Power Cord

Included in the box:

- PM45A
- PM45 Regulatory Sheet (PM45-ML-RS-01)
- Collapsible Core



- No Power Cord

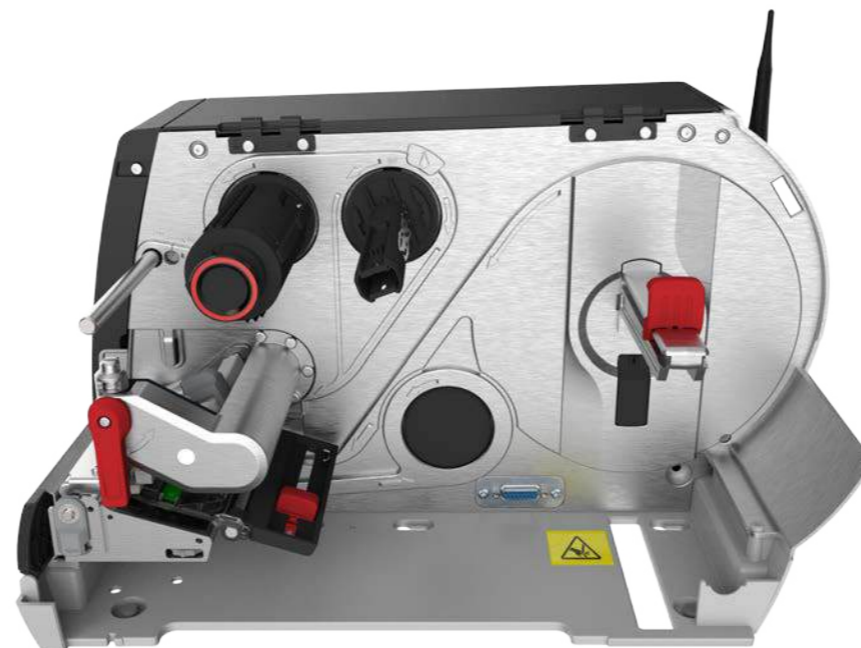
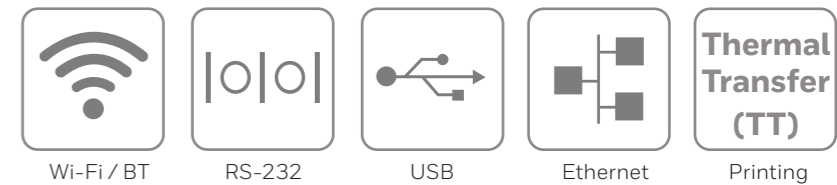
Note: Not all printer combinations are available in every region. Check your local Price Book to see which part numbers are available for sale.

Honeywell Repair Services

SVC PM45-SG3N	PM45 / PM45C, Edge Service, Gold Maintenance Contract, 3 Year, New Contract
ADD SVCPRINHEAD-PM3	AddOn, Edge Service, Printhead Refresh Service, 203 or 300 DPI, 3-Year Contract
ADD SVCACC-PRN3	AddOn, Edge Service, Accessory Service, Printer, 3 Year

PM45 4-INCH FEATURE OVERVIEW

Tear Off - Full Touch Display - Thermal Transfer - Wi-Fi/ Bluetooth (NA)



PM45A - Full Touch - Wi-Fi/ Bluetooth (NA) - Thermal Transfer - 203 DPI

PM45A1100000201 PM45A, Full Touch Display, Ethernet, Bluetooth V5.0, Wi-Fi Rest of World (NA) IEEE 802.11 a/b/g/n/ac, Fixed Hanger, Real Time Clock (RTC), Thermal Transfer (TT), 203 DPI, US Power Cord

PM45A - Full Touch - Wi-Fi/ Bluetooth (NA) - Thermal Transfer - 300 DPI

PM45A1100000301 PM45A, Full Touch Display, Ethernet, Bluetooth V5.0, Wi-Fi Rest of World (NA) IEEE 802.11 a/b/g/n/ac, Fixed Hanger, Real Time Clock (RTC), Thermal Transfer (TT), 300 DPI, US Power Cord

Included in the box:

- PM45A
- PM45 Regulatory Sheet (PM45-ML-RS-01)
- Collapsible Core

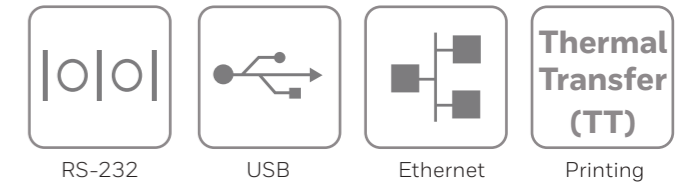


- US Power Cord

Note: Not all printer combinations are available in every region. Check your local Price Book to see which part numbers are available for sale.

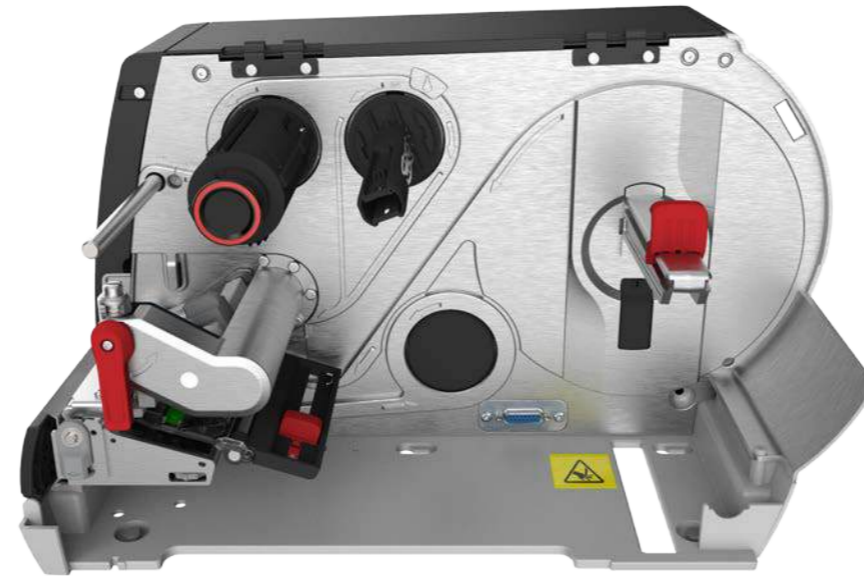
Honeywell Repair Services

SVC PM45-SG3N	PM45 / PM45C, Edge Service, Gold Maintenance Contract, 3 Year, New Contract
ADD SVCPRINHEAD-PM3	AddOn, Edge Service, Printhead Refresh Service, 203 or 300 DPI, 3-Year Contract
ADD SVCACC-PRN3	AddOn, Edge Service, Accessory Service, Printer, 3 Year



PM45 4-INCH FEATURE OVERVIEW

Tear Off - Icon Display - Thermal Transfer



PM45A - Icon - Thermal Transfer - 203 DPI

PM45A00000000200 PM45A, Icon Display, Ethernet, Fixed Hanger, Real Time Clock (RTC), Thermal Transfer (TT), 203 DPI, No Power Cord

PM45A - Icon - Thermal Transfer - 300 DPI

PM45A00000000300 PM45A, Icon Display, Ethernet, Fixed Hanger, Real Time Clock (RTC), Thermal Transfer (TT), 300 DPI, No Power Cord

PM45A - Icon - Thermal Transfer - 406 DPI

PM45A00000000400 PM45A, Icon Display, Ethernet, Fixed Hanger, Real Time Clock (RTC), Thermal Transfer (TT), 406 DPI, No Power Cord

PM45A - Icon - Thermal Transfer - 600 DPI

PM45A00000000600 PM45A, Icon Display, Ethernet, Fixed Hanger, Real Time Clock (RTC), Thermal Transfer (TT), 600 DPI, No Power Cord

Included in the box:

- PM45A
- PM45 Regulatory Sheet (PM45-ML-RS-01)
- Collapsible Core



- No Power Cord

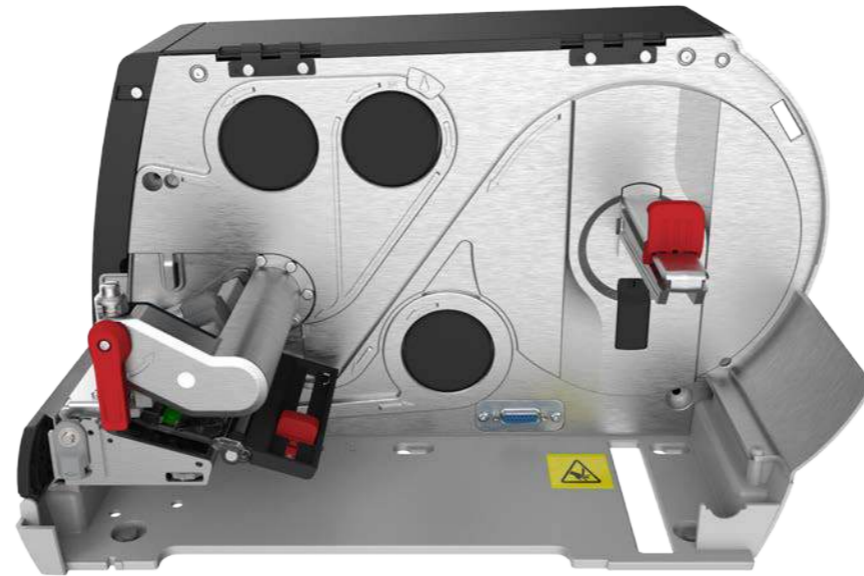
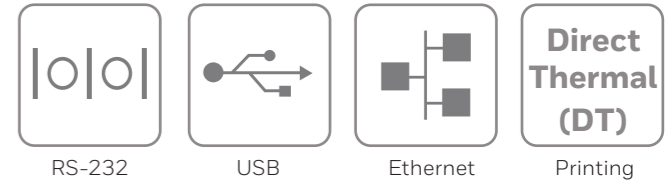
Note: Not all printer combinations are available in every region. Check your local Price Book to see which part numbers are available for sale.

Honeywell Repair Services

SVC SPCPM45-SG3N	PM45 / PM45C, Edge Service, Gold Maintenance Contract, 3 Year, New Contract
ADD SVCPRINTHEAD-PM3	AddOn, Edge Service, Printhead Refresh Service, 203 or 300 DPI, 3-Year Contract
ADD SVCACC-PRN3	AddOn, Edge Service, Accessory Service, Printer, 3 Year

PM45 4-INCH FEATURE OVERVIEW

Tear Off - Icon Display - Direct Thermal



PM45A - Icon - Direct Thermal - 203 DPI

PM45A00000000210 PM45A, Icon Display, Ethernet, Fixed Hanger, Real Time Clock (RTC), Direct Thermal (DT), 203 DPI, No Power Cord

PM45A - Icon - Direct Thermal - 300 DPI

PM45A00000000310 PM45A, Icon Display, Ethernet, Fixed Hanger, Real Time Clock (RTC), Direct Thermal (DT), 300 DPI, No Power Cord

PM45A - Icon - Direct Thermal - 406 DPI

PM45A00000000410 PM45A, Icon Display, Ethernet, Fixed Hanger, Real Time Clock (RTC), Direct Thermal (DT), 406 DPI, No Power Cord

PM45A - Icon - Direct Thermal - 600 DPI

PM45A00000000610 PM45A, Icon Display, Ethernet, Fixed Hanger, Real Time Clock (RTC), Direct Thermal (DT), 600 DPI, No Power Cord

Included in the box:

- PM45A
- PM45 Regulatory Sheet (PM45-ML-RS-01)
- No Power Cord

Note: Not all printer combinations are available in every region. Check your local Price Book to see which part numbers are available for sale.

Honeywell Repair Services

SVCPM45-SG3N

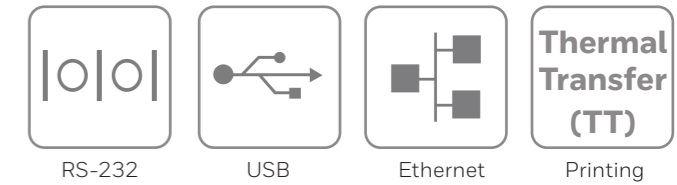
PM45 / PM45C, Edge Service, Gold Maintenance Contract, 3 Year, New Contract

ADD SVCPRINTHEAD-PM3

AddOn, Edge Service, Printhead Refresh Service, 203 or 300 DPI, 3-Year Contract

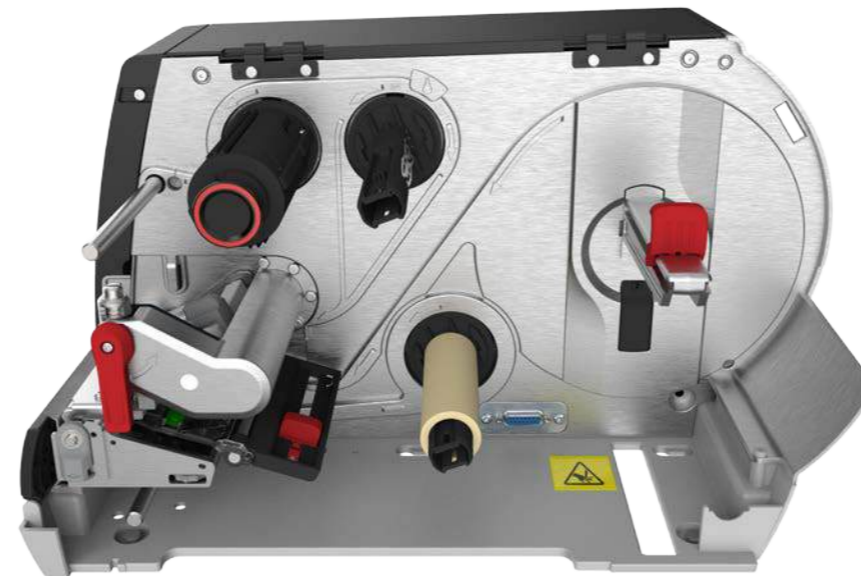
ADD SVCACC-PRN3

AddOn, Edge Service, Accessory Service, Printer, 3 Year



PM45 4-INCH FEATURE OVERVIEW

Rewinder + Label Taken Sensor - Full Touch Display - Thermal Transfer



PM45A - Full Touch - Internal Rewind + Label Taken Sensor - Thermal Transfer - 203 DPI

PM45A10000030200 PM45A, Full Touch Display, Ethernet, Fixed Hanger, Rewinder + Label Taken Sensor, Real Time Clock (RTC), Thermal Transfer (TT), 203 DPI, No Power Cord

PM45A - Full Touch - Internal Rewind + Label Taken Sensor - Thermal Transfer - 300 DPI

PM45A10000030300 PM45A, Full Touch Display, Ethernet, Fixed Hanger, Rewinder + Label Taken Sensor, Real Time Clock (RTC), Thermal Transfer (TT), 300 DPI, No Power Cord

PM45A - Full Touch - Internal Rewind + Label Taken Sensor - Thermal Transfer - 406 DPI

PM45A10000030400 PM45A, Full Touch Display, Ethernet, Fixed Hanger, Rewinder + Label Taken Sensor, Real Time Clock (RTC), Thermal Transfer (TT), 406 DPI, No Power Cord

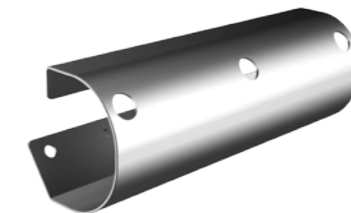
PM45A - Full Touch - Internal Rewind + Label Taken Sensor - Thermal Transfer - 600 DPI

PM45A10000030600 PM45A, Full Touch Display, Ethernet, Fixed Hanger, Rewinder + Label Taken Sensor, Real Time Clock (RTC), Thermal Transfer (TT), 600 DPI, No Power Cord

Included in the box:

- PM45A
- PM45 Regulatory Sheet (PM45-ML-RS-01)
- Collapsible Core

- Batch Plate (653-679-001) - Not installed in PM45



- No Power Cord

- Ribbon Core (048524)



Note: Not all printer combinations are available in every region. Check your local Price Book to see which part numbers are available for sale.

Honeywell Repair Services

SVCPM45-SG3N

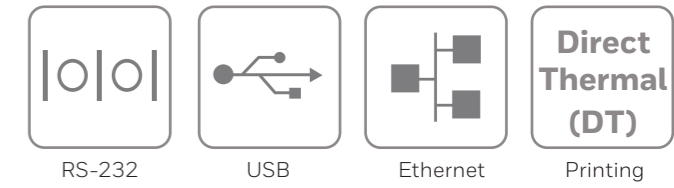
PM45 / PM45C, Edge Service, Gold Maintenance Contract, 3 Year, New Contract

ADD SVCPRINTHEAD-PM3

AddOn, Edge Service, Printhead Refresh Service, 203 or 300 DPI, 3-Year Contract

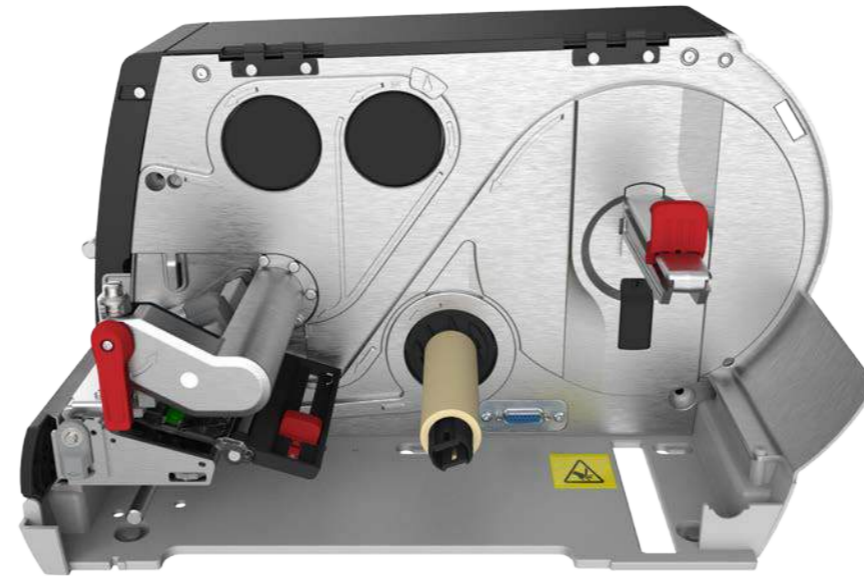
ADD SVCACC-PRN3

AddOn, Edge Service, Accessory Service, Printer, 3 Year



PM45 4-INCH FEATURE OVERVIEW

Rewinder + Label Taken Sensor - Full Touch Display - Direct Thermal



PM45A - Full Touch - Internal Rewind + Label Taken Sensor - Direct Thermal - 203 DPI

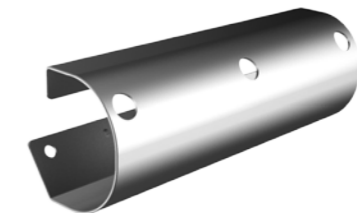
PM45A10000030210

PM45A, Full Touch Display, Ethernet, Fixed Hanger, Rewinder + Label Taken Sensor, Real Time Clock (RTC), Direct Thermal (DT), 203 DPI, No Power Cord

Included in the box:

- PM45A
- PM45 Regulatory Sheet (PM45-ML-RS-01)
- No Power Cord

- Batch Plate (653-679-001) - Not installed in PM45



- Ribbon Core (048524)



Note: Not all printer combinations are available in every region. Check your local Price Book to see which part numbers are available for sale.

Honeywell Repair Services

SVCPM45-SG3N

PM45 / PM45C, Edge Service, Gold Maintenance Contract, 3 Year, New Contract

ADD SVCPRINTHEAD-PM3

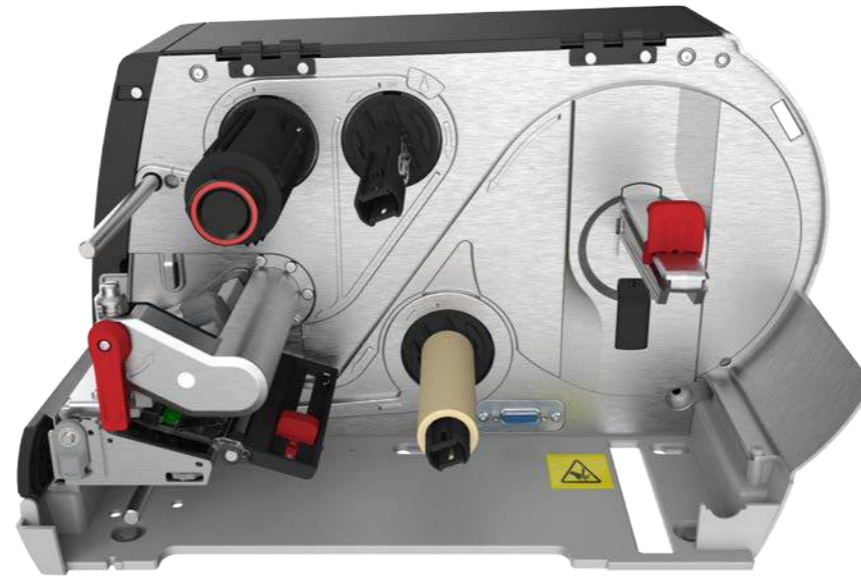
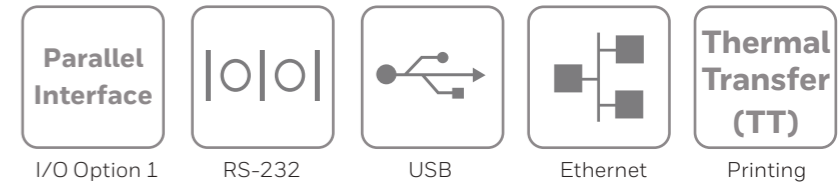
AddOn, Edge Service, Printhead Refresh Service, 203 or 300 DPI, 3-Year Contract

ADD SVCACC-PRN3

AddOn, Edge Service, Accessory Service, Printer, 3 Year

PM45 4-INCH FEATURE OVERVIEW

Rewinder + Label Taken Sensor - Full Touch Display - Parallel Interface - Thermal Transfer



PM45A - Full Touch - Internal Rewind + Label Taken Sensor - Parallel Interface - Thermal Transfer - 203 DPI

PM45A10010030200 PM45A, Full Touch Display, Ethernet, Fixed Hanger, Parallel Interface, Rewinder + Label Taken Sensor, Real Time Clock (RTC), Thermal Transfer (TT), 203 DPI, No Power Cord

PM45A - Full Touch - Internal Rewind + Label Taken Sensor - Parallel Interface - Thermal Transfer - 300 DPI

PM45A10010030300 PM45A, Full Touch Display, Ethernet, Fixed Hanger, Parallel Interface, Rewinder + Label Taken Sensor, Real Time Clock (RTC), Thermal Transfer (TT), 300 DPI, No Power Cord

PM45A - Full Touch - Internal Rewind + Label Taken Sensor - Parallel Interface - Thermal Transfer - 406 DPI

PM45A10010030400 PM45A, Full Touch Display, Ethernet, Fixed Hanger, Parallel Interface, Rewinder + Label Taken Sensor, Real Time Clock (RTC), Thermal Transfer (TT), 406 DPI, No Power Cord

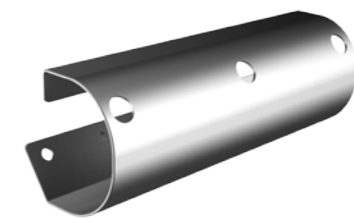
PM45A - Full Touch - Internal Rewind + Label Taken Sensor - Parallel Interface - Thermal Transfer - 600 DPI

PM45A10010030600 PM45A, Full Touch Display, Ethernet, Fixed Hanger, Parallel Interface, Rewinder + Label Taken Sensor, Real Time Clock (RTC), Thermal Transfer (TT), 600 DPI, No Power Cord

Included in the box:

- PM45A
- PM45 Regulatory Sheet (PM45-ML-RS-01)
- Collapsible Core

- Batch Plate (653-679-001) - Not installed in PM45



- No Power Cord

- Ribbon Core (048524)



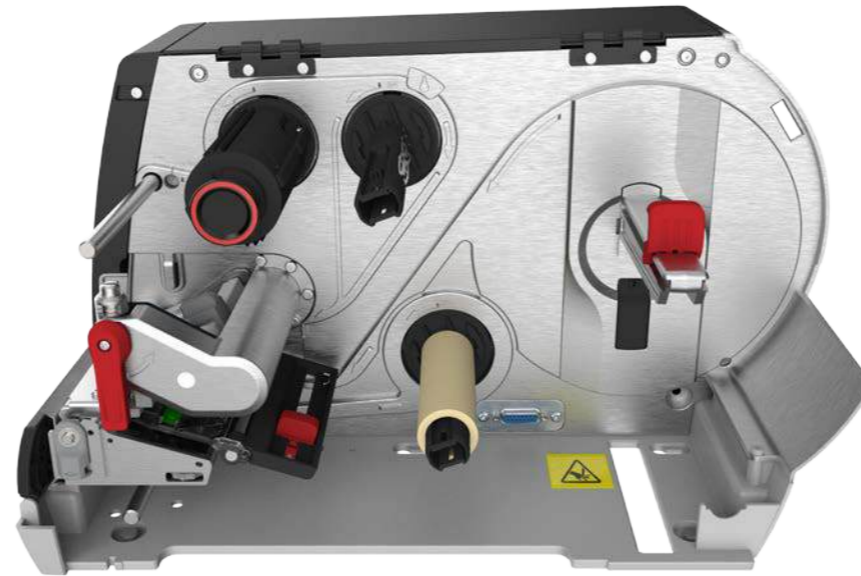
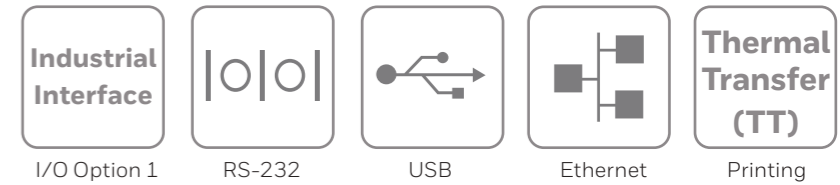
Note: Not all printer combinations are available in every region. Check your local Price Book to see which part numbers are available for sale.

Honeywell Repair Services

SVCPM45-SG3N	PM45 / PM45C, Edge Service, Gold Maintenance Contract, 3 Year, New Contract
ADD SVCPRINTHEAD-PM3	AddOn, Edge Service, Printhead Refresh Service, 203 or 300 DPI, 3-Year Contract
ADD SVCACC-PRN3	AddOn, Edge Service, Accessory Service, Printer, 3 Year

PM45 4-INCH FEATURE OVERVIEW

Rewinder + Label Taken Sensor - Full Touch Display - Industrial Interface - Thermal Transfer



PM45A - Full Touch - Internal Rewind + Label Taken Sensor - Industrial Interface - Thermal Transfer - 203 DPI

PM45A10020030200 PM45A, Full Touch Display, Ethernet, Fixed Hanger, Industrial Interface, Rewinder + Label Taken Sensor, Real Time Clock (RTC), Thermal Transfer (TT), 203 DPI, No Power Cord

PM45A - Full Touch - Internal Rewind + Label Taken Sensor - Industrial Interface - Thermal Transfer - 300 DPI

PM45A10020030300 PM45A, Full Touch Display, Ethernet, Fixed Hanger, Industrial Interface, Rewinder + Label Taken Sensor, Real Time Clock (RTC), Thermal Transfer (TT), 300 DPI, No Power Cord

PM45A - Full Touch - Internal Rewind + Label Taken Sensor - Industrial Interface - Thermal Transfer - 406 DPI

PM45A10020030400 PM45A, Full Touch Display, Ethernet, Fixed Hanger, Industrial Interface, Rewinder + Label Taken Sensor, Real Time Clock (RTC), Thermal Transfer (TT), 406 DPI, No Power Cord

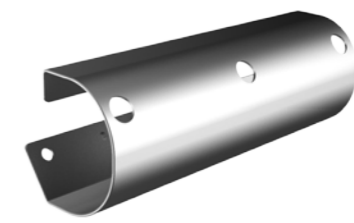
PM45A - Full Touch - Internal Rewind + Label Taken Sensor - Industrial Interface - Thermal Transfer - 600 DPI

PM45A10020030600 PM45A, Full Touch Display, Ethernet, Fixed Hanger, Industrial Interface, Rewinder + Label Taken Sensor, Real Time Clock (RTC), Thermal Transfer (TT), 600 DPI, No Power Cord

Included in the box:

- PM45A
- PM45 Regulatory Sheet (PM45-ML-RS-01)
- Collapsible Core

- Batch Plate (653-679-001) - Not installed in PM45



- No Power Cord

- Ribbon Core (048524)





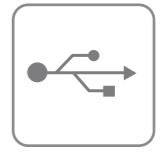
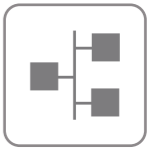

Note: Not all printer combinations are available in every region. Check your local Price Book to see which part numbers are available for sale.

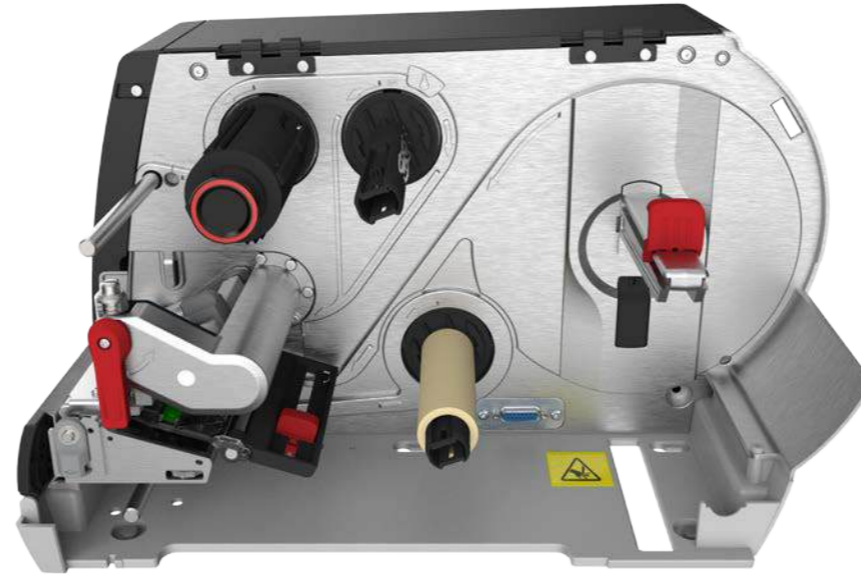
Honeywell Repair Services

SVCPM45-SG3N	PM45 / PM45C, Edge Service, Gold Maintenance Contract, 3 Year, New Contract
ADD SVCPRINTHEAD-PM3	AddOn, Edge Service, Printhead Refresh Service, 203 or 300 DPI, 3-Year Contract
ADD SVCACC-PRN3	AddOn, Edge Service, Accessory Service, Printer, 3 Year

PM45 4-INCH FEATURE OVERVIEW

Rewinder + Label Taken Sensor - Full Touch Display - Applicator Interface - Thermal Transfer

 Applicator Interface I/O Option 1	 RS-232	 USB	 Ethernet	 Thermal Transfer (TT) Printing
---	---	--	---	---



PM45A - Full Touch - Internal Rewind + Label Taken Sensor - Applicator Interface - Thermal Transfer - 203 DPI

PM45A10030030200 PM45A, Full Touch Display, Ethernet, Fixed Hanger, Applicator Interface, Rewinder + Label Taken Sensor, Real Time Clock (RTC), Thermal Transfer (TT), 203 DPI, No Power Cord

PM45A - Full Touch - Internal Rewind + Label Taken Sensor - Applicator Interface - Thermal Transfer - 300 DPI

PM45A10030030300 PM45A, Full Touch Display, Ethernet, Fixed Hanger, Applicator Interface, Rewinder + Label Taken Sensor, Real Time Clock (RTC), Thermal Transfer (TT), 300 DPI, No Power Cord

PM45A - Full Touch - Internal Rewind + Label Taken Sensor - Applicator Interface - Thermal Transfer - 406 DPI

PM45A10030030400 PM45A, Full Touch Display, Ethernet, Fixed Hanger, Applicator Interface, Rewinder + Label Taken Sensor, Real Time Clock (RTC), Thermal Transfer (TT), 406 DPI, No Power Cord

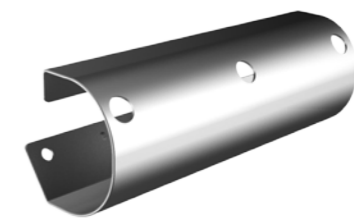
PM45A - Full Touch - Internal Rewind + Label Taken Sensor - Applicator Interface - Thermal Transfer - 600 DPI

PM45A10030030600 PM45A, Full Touch Display, Ethernet, Fixed Hanger, Applicator Interface, Rewinder + Label Taken Sensor, Real Time Clock (RTC), Thermal Transfer (TT), 600 DPI, No Power Cord

Included in the box:

- PM45A
- PM45 Regulatory Sheet (PM45-ML-RS-01)
- Collapsible Core

- Batch Plate (653-679-001) - Not installed in PM45



- No Power Cord

- Ribbon Core (048524)



Note: Not all printer combinations are available in every region. Check your local Price Book to see which part numbers are available for sale.

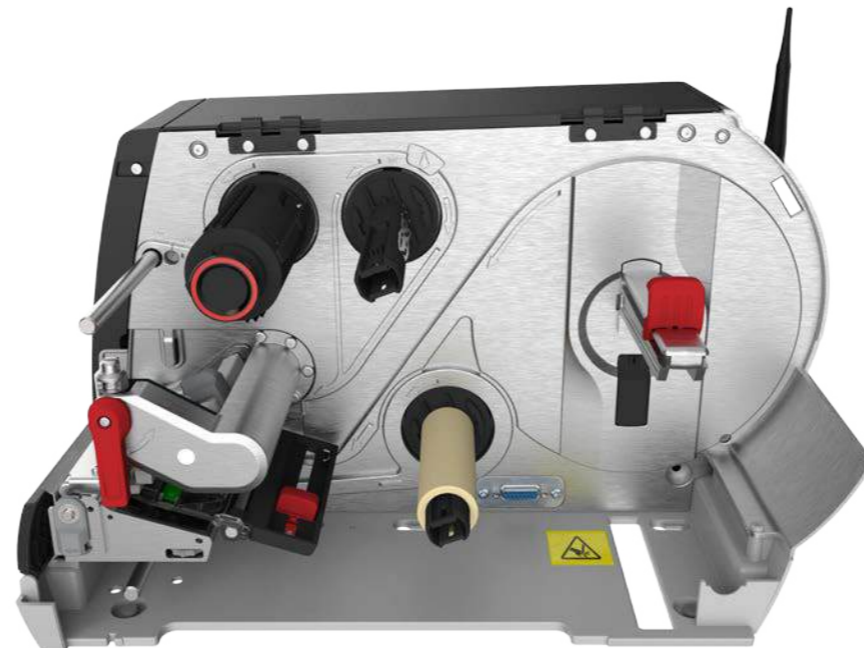
Honeywell Repair Services

SVC PM45-SG3N	PM45 / PM45C, Edge Service, Gold Maintenance Contract, 3 Year, New Contract
ADD SVCPRINTHEAD-PM3	AddOn, Edge Service, Printhead Refresh Service, 203 or 300 DPI, 3-Year Contract
ADD SVCACC-PRN3	AddOn, Edge Service, Accessory Service, Printer, 3 Year

PM45 4-INCH FEATURE OVERVIEW

Rewinder + Label Taken Sensor - Full Touch Display - Thermal Transfer - RFID (AZ)

Wi-Fi/ Bluetooth (ROW)



PM45A - Full Touch - Wi-Fi/ Bluetooth - Internal Rewind + Label Taken Sensor - UHF RFID - Thermal Transfer - 203 DPI

PM45A12AZ0030200

PM45A, Full Touch Display, Ethernet, Bluetooth V5.0, Wi-Fi Rest of World (ROW) IEEE 802.11 a/b/g/n/ac, UHF RFID Australia / New Zealand (AZ) Fixed Hanger, Rewinder + Label Taken Sensor, Real Time Clock (RTC), Thermal Transfer (TT), 203 DPI, No Power Cord

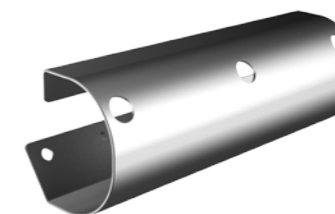
Included in the box:

- PM45A
- PM45 Regulatory Sheet (PM45-ML-RS-01)
- Collapsible Core

- Batch Plate (653-679-001) - Not installed in PM45



- No Power Cord



- Ribbon Core (048524)



Note: Not all printer combinations are available in every region. Check your local Price Book to see which part numbers are available for sale.

Honeywell Repair Services

SVCPM45-SG3N

PM45 / PM45C, Edge Service, Gold Maintenance Contract, 3 Year, New Contract

ADD SVCPRINTHEAD-PM3

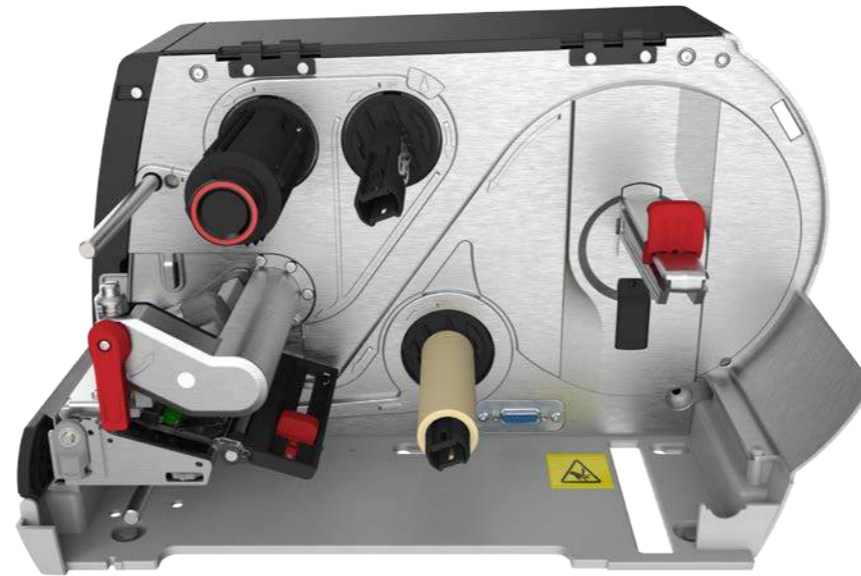
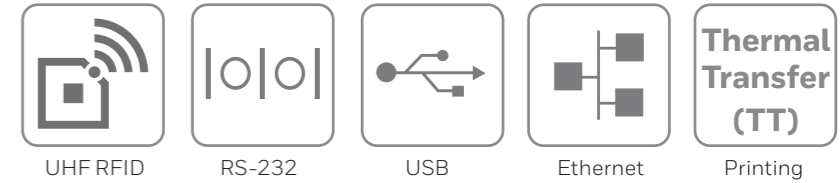
AddOn, Edge Service, Printhead Refresh Service, 203 or 300 DPI, 3-Year Contract

ADD SVCACC-PRN3

AddOn, Edge Service, Accessory Service, Printer, 3 Year

PM45 4-INCH FEATURE OVERVIEW

Rewinder + Label Taken Sensor - Full Touch Display - Thermal Transfer - RFID (EU)



PM45A - Full Touch - Internal Rewind + Label Taken Sensor - UHF RFID - Thermal Transfer - 203 DPI

PM45A1000EU30200

PM45A, Full Touch Display, Ethernet, UHF RFID Europe/ ROW (EU) Fixed Hanger, Rewinder + Label Taken Sensor, Real Time Clock (RTC), Thermal Transfer (TT), 203 DPI, No Power Cord

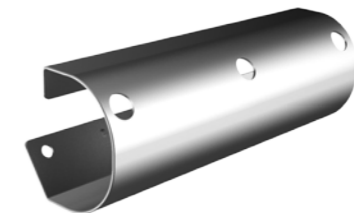
Included in the box:

- PM45A
- PM45 Regulatory Sheet (PM45-ML-RS-01)
- Collapsible Core

- Batch Plate (653-679-001) - Not installed in PM45



- No Power Cord



- Ribbon Core (048524)



Note: Not all printer combinations are available in every region. Check your local Price Book to see which part numbers are available for sale.

Honeywell Repair Services

SVCPM45-SG3N

PM45 / PM45C, Edge Service, Gold Maintenance Contract, 3 Year, New Contract

ADD SVCPRINTHEAD-PM3

AddOn, Edge Service, Printhead Refresh Service, 203 or 300 DPI, 3-Year Contract

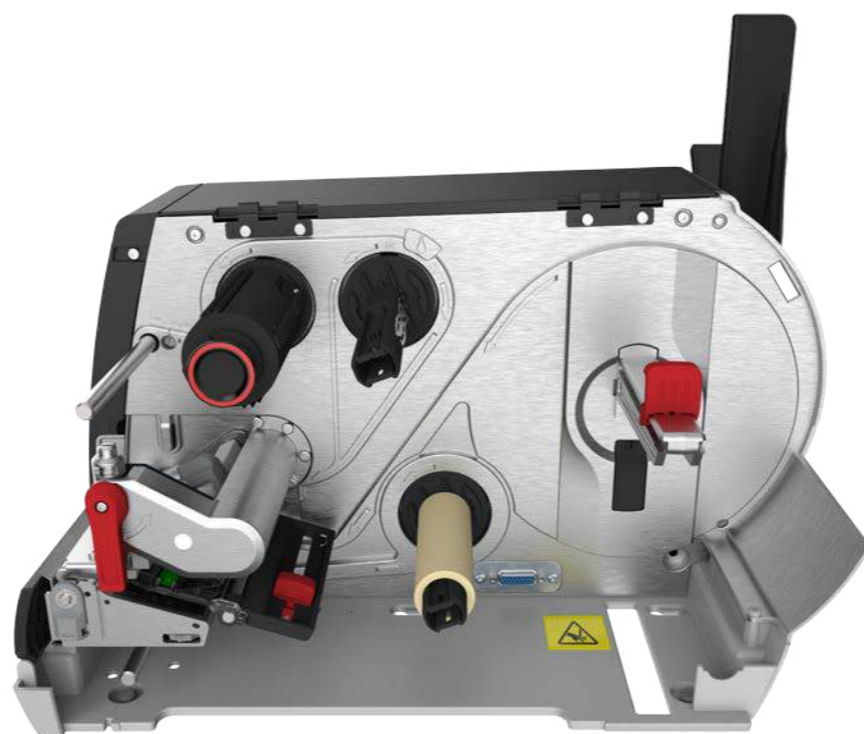
ADD SVCACC-PRN3

AddOn, Edge Service, Accessory Service, Printer, 3 Year

PM45 4-INCH FEATURE OVERVIEW

Rewinder + Label Taken Sensor - Full Touch Display - Thermal Transfer

Wi-Fi/ Bluetooth (NA) - WWAN - RFID (NA)



PM45A - Full Touch - Internal Rewind + Label Taken Sensor - Wi-Fi/ Bluetooth - WWAN - UHF RFID - TT - 203 DPI

PM45A11NA0430201 PM45A, Full Touch Display, Ethernet, Bluetooth V5.0, Wi-Fi North America (NA) IEEE 802.11 a/b/g/n/ac, UHF RFID North America (NA), WWAN 4G LTE North America (NA), Fixed Hanger, Rewinder + Label Taken Sensor, Real Time Clock (RTC), Thermal Transfer (TT), 203 DPI, US Power Cord

PM45A - Full Touch - Internal Rewind + Label Taken Sensor - Wi-Fi/ Bluetooth - WWAN - UHF RFID - TT - 300 DPI

PM45A11NA0430301 PM45A, Full Touch Display, Ethernet, Bluetooth V5.0, Wi-Fi North America (NA) IEEE 802.11 a/b/g/n/ac, UHF RFID North America (NA), WWAN 4G LTE North America (NA), Fixed Hanger, Rewinder + Label Taken Sensor, Real Time Clock (RTC), Thermal Transfer (TT), 300 DPI, US Power Cord

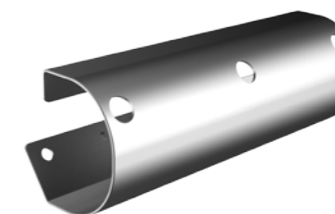
Included in the box:

- PM45A
- PM45 Regulatory Sheet (PM45-ML-RS-01)
- Collapsible Core

- Batch Plate (653-679-001) - Not installed in PM45



- US Power Cord



- Ribbon Core (048524)



Honeywell Repair Services

SVCPM45-SG3N

PM45 / PM45C, Edge Service, Gold Maintenance Contract, 3 Year, New Contract

ADD SVCPRINTHEAD-PM3

AddOn, Edge Service, Printhead Refresh Service, 203 or 300 DPI, 3-Year Contract



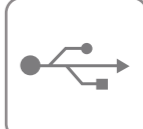
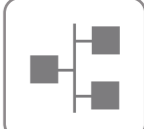

ADD SVCACC-PRN3

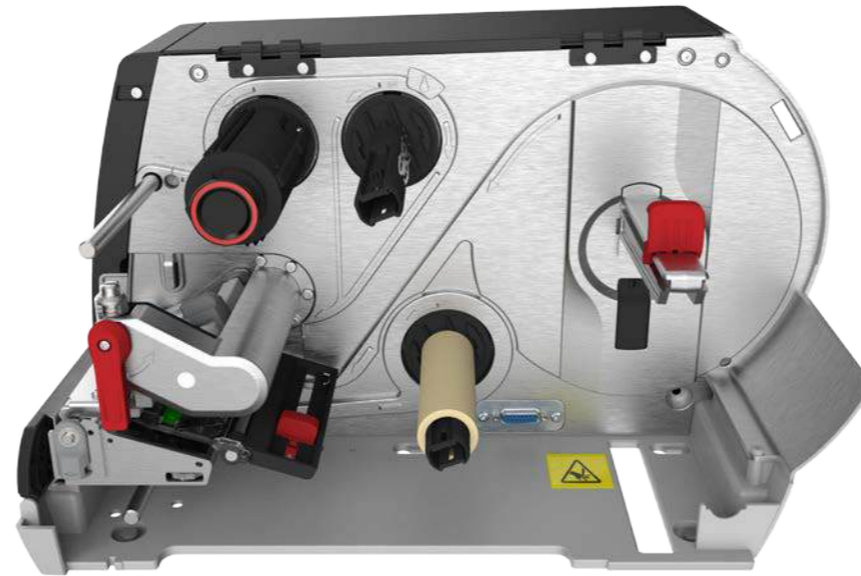
AddOn, Edge Service, Accessory Service, Printer, 3 Year

Note: Not all printer combinations are available in every region. Check your local Price Book to see which part numbers are available for sale.

PM45G 4-INCH FEATURE OVERVIEW

Rewinder + Label Taken Sensor - Full Touch Display - Parallel Interface - Thermal Transfer

 Parallel Interface I/O Option 1	 RS-232	 USB	 Ethernet	 Thermal Transfer (TT) Printing
---	---	--	---	---



PM45G - Full Touch - Internal Rewind + Label Taken Sensor - Parallel Interface - Thermal Transfer - 203 DPI

PM45G10010030201

PM45G, Full Touch Display, Ethernet, Fixed Hanger, Parallel Interface, Rewinder + Label Taken Sensor, Real Time Clock (RTC), Thermal Transfer (TT), 203 DPI, US Power Cord

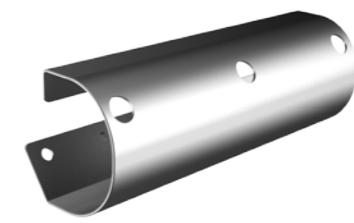
Included in the box:

- PM45G
- PM45 Regulatory Sheet (PM45-ML-RS-01)
- Collapsible Core

- Batch Plate (653-679-001) - Not installed in PM45



- US Power Cord



- Ribbon Core (048524)



Note: Not all printer combinations are available in every region. Check your local Price Book to see which part numbers are available for sale.

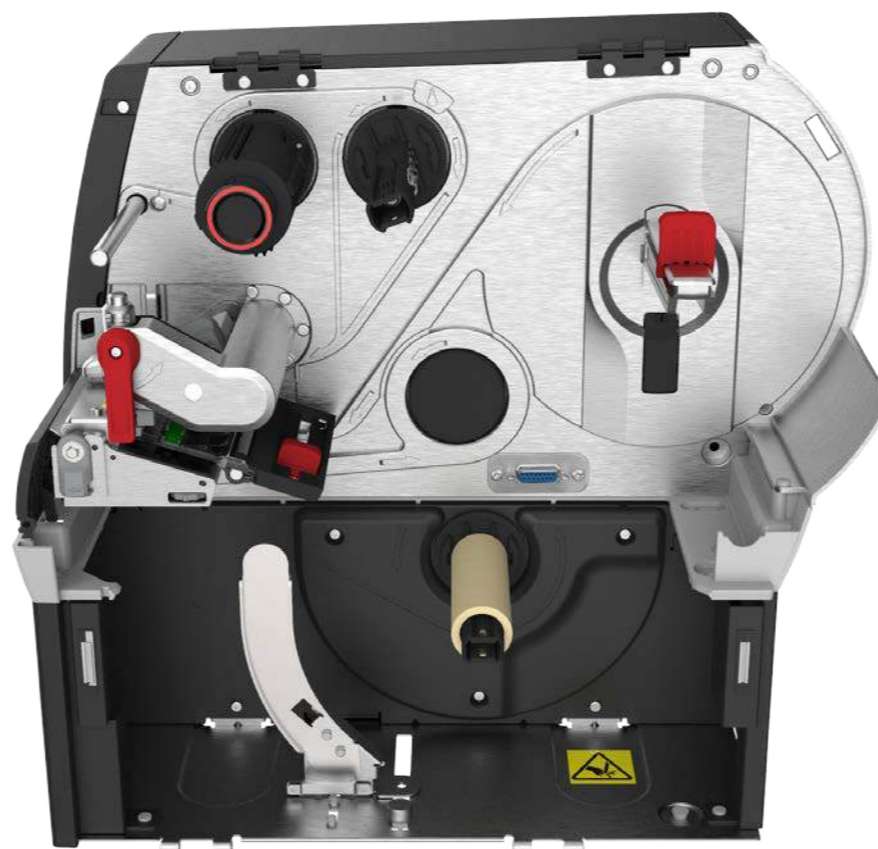
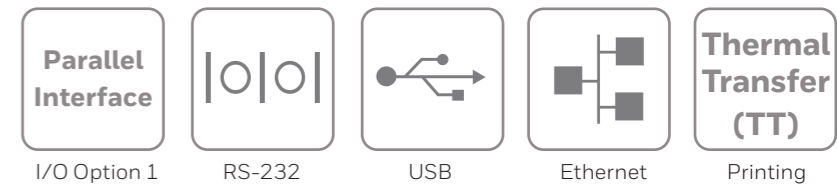
Honeywell Repair Services

SVCPM45-SG3N	PM45 / PM45C, Edge Service, Gold Maintenance Contract, 3 Year, New Contract
ADD SVCPRINTHEAD-PM3	AddOn, Edge Service, Printhead Refresh Service, 203 or 300 DPI, 3-Year Contract
ADD SVCACC-PRN3	AddOn, Edge Service, Accessory Service, Printer, 3 Year

PM45G 4-INCH FEATURE OVERVIEW

Full Batch Rewinder + Label Taken Sensor - Full Touch Display

Parallel Interface - Thermal Transfer



PM45G - Full Touch - Full Batch Rewinder + Label Taken Sensor - Parallel Interface - TT - 203 DPI

PM45G10010050201

PM45G, Full Touch Display, Ethernet, Fixed Hanger, Parallel Interface, Full Batch Rewinder + Label Taken Sensor, Real Time Clock (RTC), Thermal Transfer (TT), 203 DPI, US Power Cord

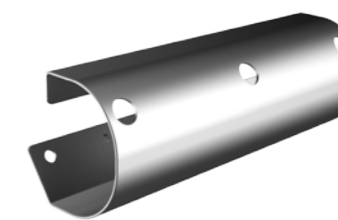
Included in the box:

- PM45G
- PM45 Regulatory Sheet (PM45-ML-RS-01)
- Collapsible Core

- Batch Plate (653-679-001) - Not installed in PM45



- US Power Cord



- Ribbon Core (O48524)



Note: Not all printer combinations are available in every region. Check your local Price Book to see which part numbers are available for sale.

Honeywell Repair Services

SVCPM45-SG3N

PM45 / PM45C, Edge Service, Gold Maintenance Contract, 3 Year, New Contract

ADD SVCPRINTHEAD-PM3

AddOn, Edge Service, Printhead Refresh Service, 203 or 300 DPI, 3-Year Contract

ADD SVCACC-PRN3

AddOn, Edge Service, Accessory Service, Printer, 3 Year

PM45 4-INCH CONFIGURATION MAP

Industrial Printer

VERSION
USER INTERFACE
CONNECTIVITY
I/O OPTION 1
I/O OPTION 2
OPTION 1
MEDIA HANDLING
PRINT OPTION
POWER CORD

DESCRIPTION

NOTES

PM45

VERSION	USER INTERFACE	CONNECTIVITY	I/O OPTION 1	I/O OPTION 2	OPTION 1	MEDIA HANDLING	PRINT OPTION	POWER CORD	DESCRIPTION	NOTES
A									Standard	2 x USB A Port (USB 2.0 Host), 1x USB B Port (USB 2.0 Device), 1x DB9F (RS-232, up to 115.2 KB/s), Real Time Clock (RTC)
G									Trade Agreements Act (TAA) Compliant	2 x USB A Port (USB 2.0 Host), 1x USB B Port (USB 2.0 Device), 1x DB9F (RS-232, up to 115.2 KB/s), Real Time Clock (RTC)
	0								Icon User Interface	
	1								Full Touch User Interface	
	2								Icon User Interface + Bluetooth Low Energy (BLE)	Bluetooth Low Energy (BLE) used for communication with PrintSet MC Application
	3								Full Touch User Interface + Bluetooth Low Energy (BLE)	Bluetooth Low Energy (BLE) used for communication with PrintSet MC Application
		0							Ethernet	Ethernet 10/100/1000 Mbps
		1							Ethernet + WLAN North America (NA) + Bluetooth	Available as Kit - Part# 50178327-001 Wi-Fi 5 802.11 a/b/g/n/ac + V5.0 Bluetooth Kit (North America)
		2							Ethernet + WLAN Rest Of World (ROW) + Bluetooth	Available as Kit - Part# 50174832-001 Wi-Fi 5 802.11 a/b/g/n/ac + V5.0 Bluetooth Kit (Rest Of World)
			00						None	
			01						Parallel Interface	Available as Kit - Part# PM45-PAR-01 PARALLEL IEEE 1284 INTERFACE PM45/ PM65
			02						Industrial Interface	Available as Kit - Part# PM45-IND-01 UART + INDUSTRIAL INTERFACE PM45/ PM65
			03						Applicator Interface	Available as Kit - Part# PM45-APPL-01 APPLICATOR INTERFACE PM45/ PM65
			EU						UHF RFID Europe (EU) - 869MHz	Available as Kit - Part# 50180233-001 RFID IM11 INTERFACE EU/ ROW,ASSY,PM45/ PM65
			NA						UHF RFID North America (NA) - 915MHz	Available as Kit - Part# 50180747-001 RFID IM11 INTERFACE NA,ASSY,PM45/ PM65
				00					None	
				01					Parallel Interface	Available as Kit - Part# PM45-PAR-01 PARALLEL IEEE 1284 INTERFACE PM45/ PM65
				02					Industrial Interface	Available as Kit - Part# PM45-IND-01 UART + INDUSTRIAL INTERFACE PM45/ PM65
				03					Applicator Interface	Available as Kit - Part# PM45-APPL-01 APPLICATOR INTERFACE PM45/ PM65
				04					WWAN 4G LTE	Available as Kit - Part# 50179990-001 Cellular Modem,Assy,PM45/ PM65
				AZ					UHF RFID Australia / New Zealand (AZ) - 928MHz	
				EU					UHF RFID Europe (EU) - 869MHz	Available as Kit - Part# 50180233-001 RFID IM11 INTERFACE EU/ ROW,ASSY,PM45/ PM65
				NA					UHF RFID North America (NA) - 915MHz	Available as Kit - Part# 50180747-001 RFID IM11 INTERFACE NA,ASSY,PM45/ PM65
					0				None	
					1				Label Taken Sensor (LTS)	Available as Kit - Part# 715-616S-001 Label Taken Sensor (LTS), Spare Kit, PM43/ PM45/ PM65
					2				Rewinder	Available as Kit - Part# 50178326-001 PM45 Rewinder,Media Internal Sub-Assembly
					3				Rewinder + Label Taken Sensor (LTS)	Available as Kit - Part# 50178326-001 PM45 Rewinder,Media Internal Sub-Assembly + Part# 715-616S-001 Label Taken Sensor (LTS), PM45/ PM65
					4				Full Batch Rewinder	Available as Kit - Part# 50178308-001 KIT, PM45 Full Batch Rewinder (Field option kit)
					5				Full Batch Rewinder + Label Taken Sensor (LTS)	Available as Kit - Part# 50178308-001 KIT, PM45 Full Batch Rewinder (Field option kit) + Part# 715-616S-001 Label Taken Sensor (LTS), PM45/ PM65
						0			Fixed Hanger	
						1			Rotating Hanger	Available as Kit - Part# 203-977-001 KIT, ROTATION HANGER + Part# 203-972-001 - 3 inch Media Core
						20			Thermal Transfer (TT) 203 DPI	Available as Kit - Part# 50180236-001 PRINthead ASSY 203 DPI,PM45/PM45C
						21			Direct Thermal (DT) 203 DPI	Available as Kit - Part# 50180236-001 PRINthead ASSY 203 DPI,PM45/PM45C
						30			Thermal Transfer (TT) 300 DPI	Available as Kit - Part# 50180237-001 PRINthead ASSY 300 DPI,PM45/PM45C
						31			Direct Thermal (DT) 300 DPI	Available as Kit - Part# 50180237-001 PRINthead ASSY 300 DPI,PM45/PM45C
						40			Thermal Transfer (TT) 406 DPI	Available as Kit - Part# 50180238-001 PRINthead ASSY 406 DPI,PM45/PM45C
						41			Direct Thermal (DT) 406 DPI	Available as Kit - Part# 50180238-001 PRINthead ASSY 406 DPI,PM45/PM45C
						60			Thermal Transfer (TT) 600 DPI	Available as Kit - Part# 50180234-001 PRINthead ASSY 600 DPI,PM45/PM45C
						61			Direct Thermal (DT) 600 DPI	Available as Kit - Part# 50180234-001 PRINthead ASSY 600 DPI,PM45/PM45C
							0		None	AC Power Cord C13 Type Connector
							1		US Power Cord	AC Power Cord C13 Type Connector
							2		EU Power Cord	AC Power Cord C13 Type Connector
							6		India Power Cord	AC Power Cord C13 Type Connector



PM45C 4-INCH PRINTING OPTIONS



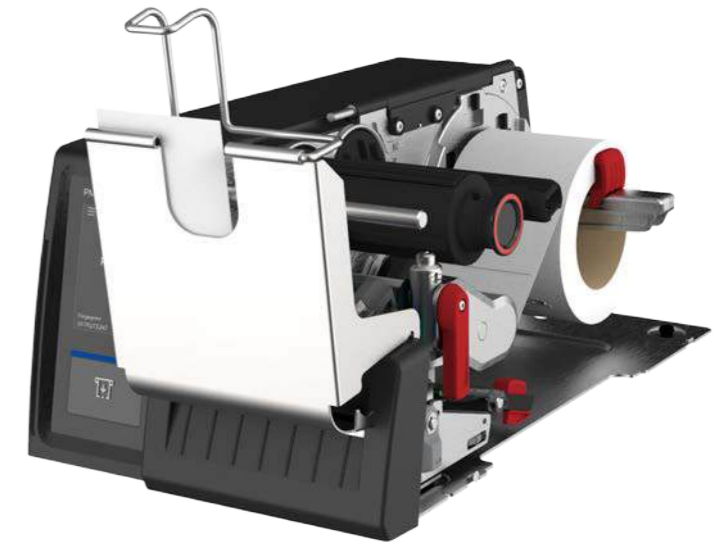
Tear Off

Most commonly used, print any number of labels and simply tear the labels off from the printer at the end of the print job. This method of printing is available on any PM45C configuration.



Cutter

A cutter can be added to any configuration of PM45C, simply cutting between labels, or at intervals on continuous media. This method of printing is available on any PM45C configuration.



Cutter with Vertical Tray

A vertical tray can be added to the Cutter to present the label upwards within easy reach of the operator, typically used for boarding pass printing in the airline industry.



Peel & Present (Standard Self-Strip using Tear Bar)

Self-Strip prints and presents only one label at a time already peeled from the backing strip/ liner, the next label will only be printed once the original label is removed from the media path. Not applicable for all media types, use Peel Off Kit for best results.
PM45CAxxxxx3xxxx PM45C with Internal Rewind + LTS



Peel & Present (Enhanced Self-Strip with Peel Off Kit)

Self-Strip prints and presents only one label at a time already peeled from the backing strip/ liner, the next label will only be printed once the original label is removed from the media path.
PM45CAxxxxx3xxxx PM45C with Internal Rewind + LTS
50180196-001 Label Dispenser kit.



Batch Plate with Internal Rewinder

The Batch Plate with Internal Rewinder is used to pre-print labels and rewind them inside the PM45. Depending on the label size up to 1/3 of a full roll can be stored inside the PM45C. For full roll to roll batch printing use the PM45 with Full Batch Rewinder.
PM45CAxxxxx3xxxx PM45C with Internal Rewind + LTS

ID = Inside Diameter
OD = Outside Diameter

PM45C 4-INCH MEDIA

Specifications

Ribbon Capacity
Up to 300 m (11,811 in)
Supports Ink Side In or Ink Side Out

Ribbon Core ID
25 mm (1.0 in)

Label Roll Minimum Width
19 mm (0.75 in)

Label Roll Maximum Width
114 mm (4.5 in)

Label Roll Maximum OD

Short Door	213 mm (8.38 in)
Long Door	152 mm (6.0 in)
Mega Dome Door	213 mm (8.38 in)

Label Roll Core ID

38 mm (1.5 in)
76 mm (3.0 in)

Optional Collapsible Core - Coreless Media Rewinder
50180221-001
Not included with the printer, must be ordered separately.

Internal Rewinder Core ID
25 mm (1.0 in)

Maximum Print Width

203 dpi:	108 mm (4.25 in)
300 dpi:	105.7 mm (4.17 in)
406 dpi:	104 mm (4.09 in)
600 dpi:	105.6 mm (4.16 in)

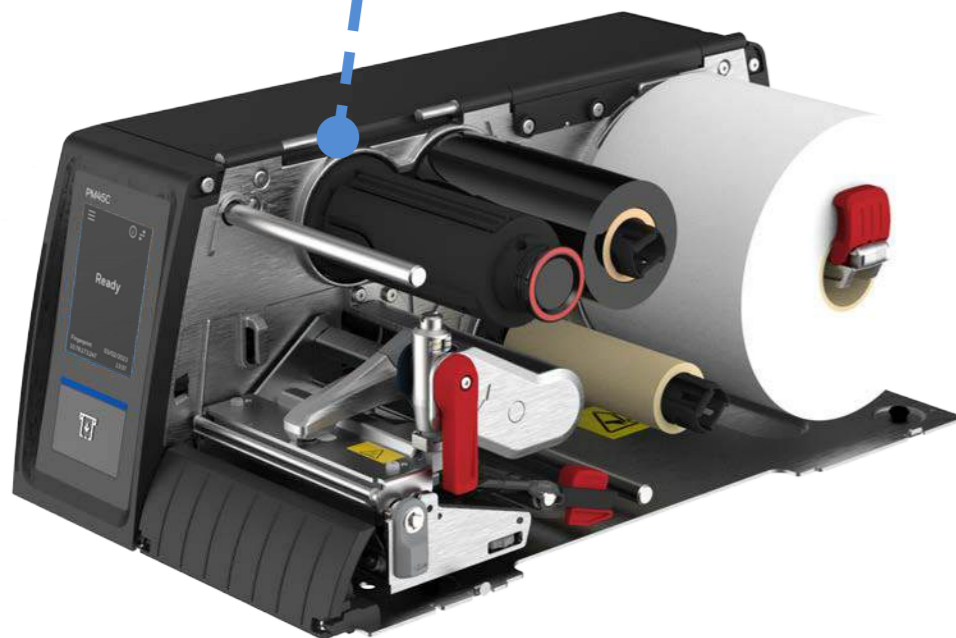
Minimum Label Length

Tear Off	6.35 mm (0.25 in)
Peel-Off Kit	25 mm (1.0 in)
Cutter	25 mm (1.0 in)
Rewind	6.35 mm (0.25 in)
RFID	25 mm (1.0 in)

Large Collapsible Core

PM45C 4-INCH MEDIA

Ribbon Rewinder Capacity

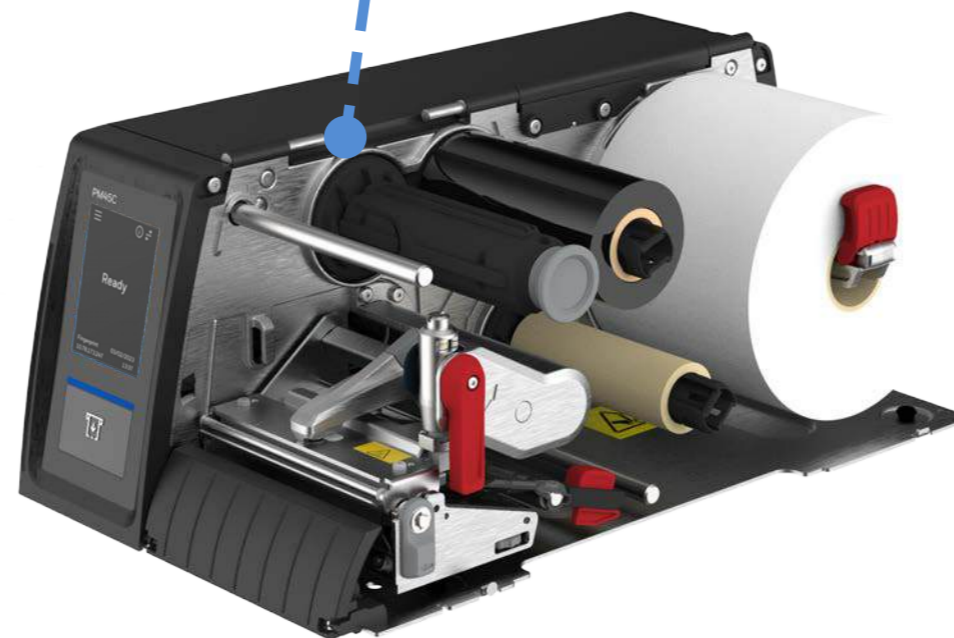


Ribbon Rewind - Large Collapsible Core

Print Precision - Best

Ribbon Removal - Best

50% Ribbon take up capacity from 220m ribbon.

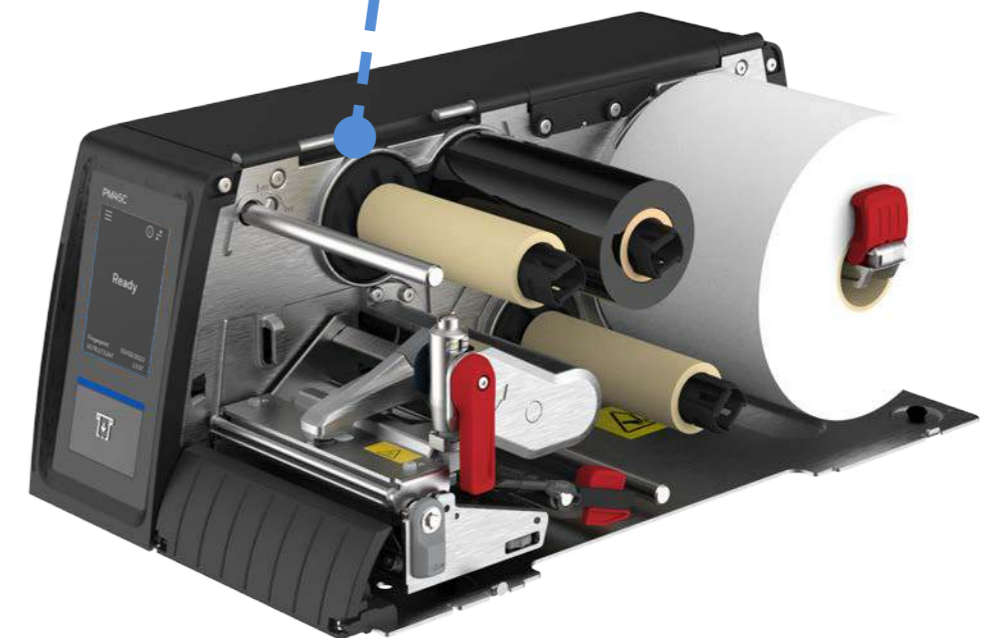


Ribbon Rewind - Small Collapsible Core

Print Precision - Better

Ribbon Removal - Better

80% Ribbon take up capacity from 220m ribbon.



Ribbon Rewind - Empty Core

Print Precision - Good

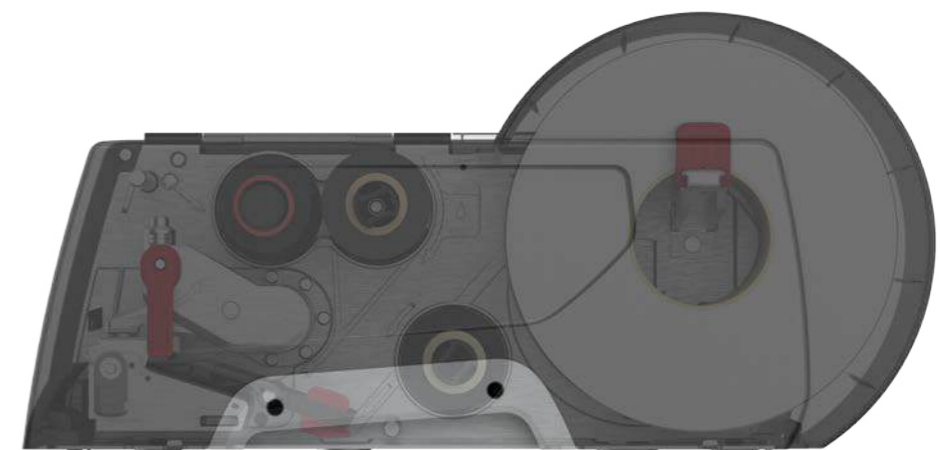
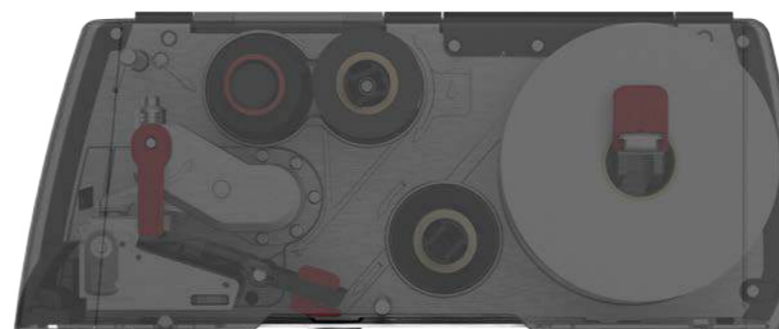
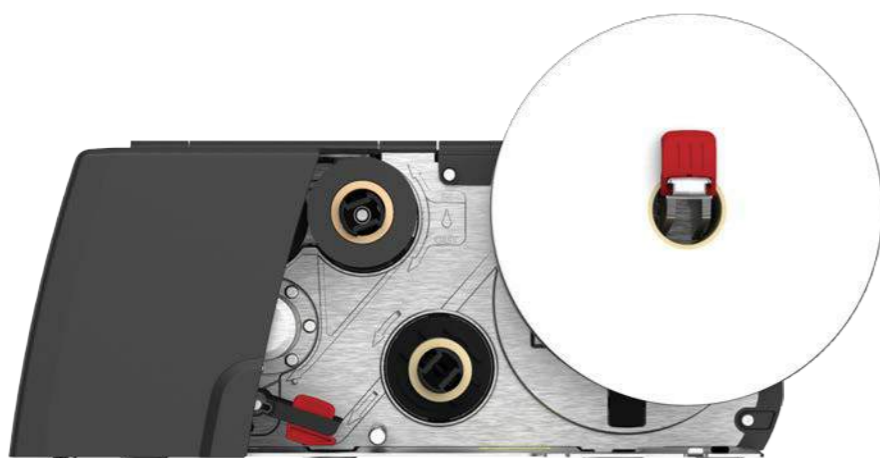
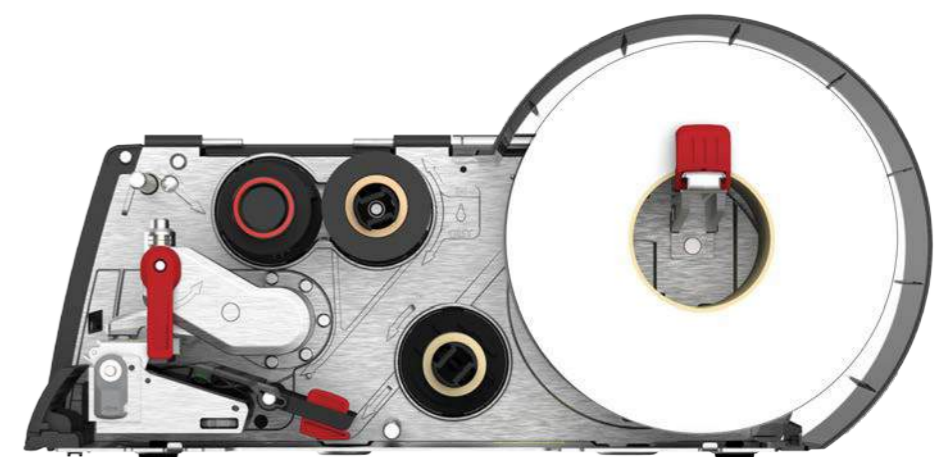
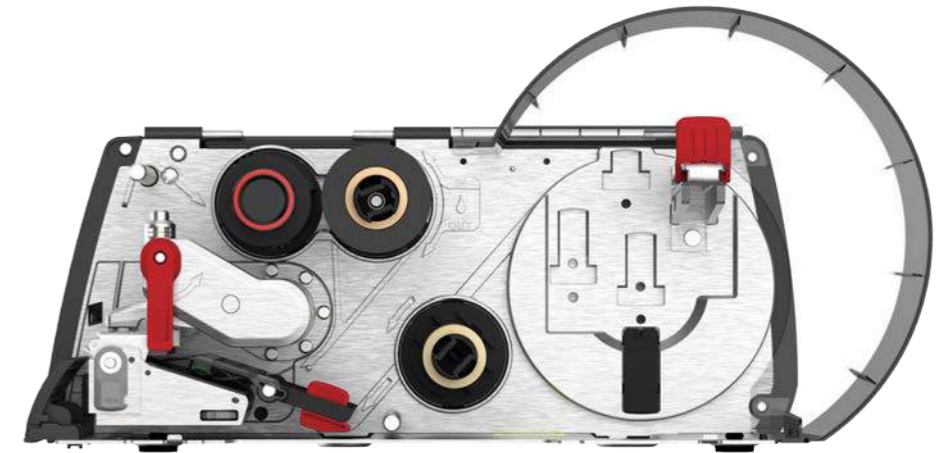
Ribbon Removal - Good

100% Ribbon take up capacity from 220m ribbon.

ID = Inside Diameter
 OD = Outside Diameter

PM45C 4-INCH MEDIA

Short Door, Long Door and Mega Dome Door Label Capacity



Short Door

Fixed Media Hanger + Label Roll Core 38 mm (1.5 in) ID

Shown with Label Roll: 213 mm (8.38 in) OD

Label Roll Maximum: 213 mm (8.38 in) OD

Typical length of material with typical thickness of labels ~ 220 m

Long Door

Fixed Media Hanger + Label Roll Core 38 mm (1.5 in) ID

Shown with Label Roll: 152 mm (6.0 in) OD

Label Roll Maximum: 152 mm (6.0 in) OD

Typical length of material with typical thickness of labels ~ 108 m

Mega Dome Door

Fixed Media Hanger + Label Roll Core 76 mm (3.0 in) ID

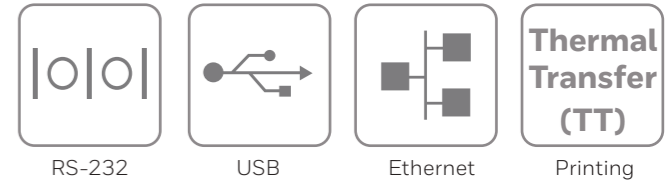
Shown with Label Roll: 213 mm (8.38 in) OD

Label Roll Maximum: 213 mm (8.38 in) OD

Typical length of material with typical thickness of labels ~ 195 m

PM45C 4-INCH SHORT DOOR FEATURE OVERVIEW

Tear Off - Full Touch Display - Thermal Transfer



PM45C - Full Touch - Short Door - Thermal Transfer - 203 DPI

PM45CA1010000200

PM45 Compact, Full Touch Display, Ethernet, Short Door, Fixed Hanger, Real Time Clock (RTC), Thermal Transfer (TT), 203 DPI, No Power Cord

PM45C - Full Touch - Short Door -Thermal Transfer - 300 DPI

PM45CA1010000300

PM45 Compact, Full Touch Display, Ethernet, Short Door, Fixed Hanger, Real Time Clock (RTC), Thermal Transfer (TT), 300 DPI, No Power Cord

PM45C - Full Touch - Short Door -Thermal Transfer - 406 DPI

PM45CA1010000400

PM45 Compact, Full Touch Display, Ethernet, Short Door, Fixed Hanger, Real Time Clock (RTC), Thermal Transfer (TT), 406 DPI, No Power Cord

PM45C - Full Touch - Short Door -Thermal Transfer - 600 DPI

PM45CA1010000600

PM45 Compact, Full Touch Display, Ethernet, Short Door, Fixed Hanger, Real Time Clock (RTC), Thermal Transfer (TT), 600 DPI, No Power Cord

Included in the box:

- PM45C
- PM45C Regulatory Sheet (PM45-ML-RS-01)
- Collapsible Core

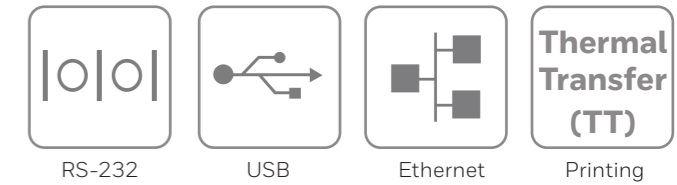


- No Power Cord

Note: Not all printer combinations are available in every region. Check your local Price Book to see which part numbers are available for sale.

Honeywell Repair Services

SVC PM45-SG3N	PM45 / PM45C, Edge Service, Gold Maintenance Contract, 3 Year, New Contract
ADD SVCPRINTHEAD-PM3	AddOn, Edge Service, Printhead Refresh Service, 203 or 300 DPI, 3-Year Contract
ADD SVCACC-PRN3	AddOn, Edge Service, Accessory Service, Printer, 3 Year



PM45C 4-INCH SHORT DOOR FEATURE OVERVIEW

Rewinder + Label Taken Sensor – Full Touch Display – Thermal Transfer



PM45C - Full Touch - Short Door - Internal Rewind + Label Taken Sensor - Thermal Transfer - 203 DPI

PM45CA1010030200 PM45 Compact, Full Touch Display, Ethernet, Short Door, Fixed Hanger, Rewinder + Label Taken Sensor, Real Time Clock (RTC), Thermal Transfer (TT), 203 DPI, No Power Cord

PM45C - Full Touch - Short Door - Internal Rewind + Label Taken Sensor - Thermal Transfer - 300 DPI

PM45CA1010030300 PM45 Compact, Full Touch Display, Ethernet, Short Door, Fixed Hanger, Rewinder + Label Taken Sensor, Real Time Clock (RTC), Thermal Transfer (TT), 300 DPI, No Power Cord

PM45C - Full Touch - Short Door - Internal Rewind + Label Taken Sensor - Thermal Transfer - 406 DPI

PM45CA1010030400 PM45 Compact, Full Touch Display, Ethernet, Short Door, Fixed Hanger, Rewinder + Label Taken Sensor, Real Time Clock (RTC), Thermal Transfer (TT), 406 DPI, No Power Cord

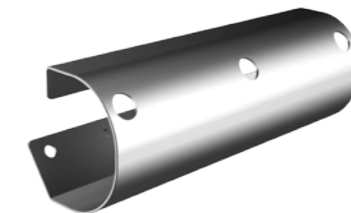
PM45C - Full Touch - Short Door - Internal Rewind + Label Taken Sensor - Thermal Transfer - 600 DPI

PM45CA1010030600 PM45 Compact, Full Touch Display, Ethernet, Short Door, Fixed Hanger, Rewinder + Label Taken Sensor, Real Time Clock (RTC), Thermal Transfer (TT), 600 DPI, No Power Cord

Included in the box:

- PM45C
- PM45C Regulatory Sheet (PM45-ML-RS-01)
- Collapsible Core

- Batch Plate (653-679-001) - Not installed in PM45C



- No Power Cord

- Ribbon Core (048524)



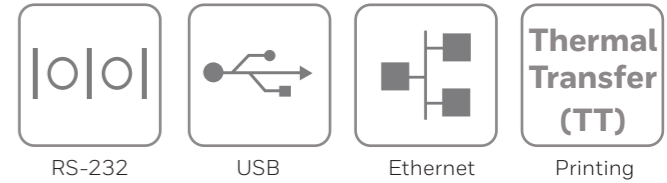
Note: Not all printer combinations are available in every region. Check your local Price Book to see which part numbers are available for sale.

Honeywell Repair Services

SVCPM45-SG3N	PM45 / PM45C, Edge Service, Gold Maintenance Contract, 3 Year, New Contract
ADD SVCPRINTHEAD-PM3	AddOn, Edge Service, Printhead Refresh Service, 203 or 300 DPI, 3-Year Contract
ADD SVCACC-PRN3	AddOn, Edge Service, Accessory Service, Printer, 3 Year

PM45C 4-INCH LONG DOOR FEATURE OVERVIEW

Tear Off - Full Touch Display - Thermal Transfer



PM45C - Full Touch - Long Door - Thermal Transfer - 203 DPI

PM45CA1000000200 PM45 Compact, Full Touch Display, Ethernet, Long Door, Fixed Hanger, Real Time Clock (RTC), Thermal Transfer (TT), 203 DPI, No Power Cord

PM45C - Full Touch - Long Door - Thermal Transfer - 300 DPI

PM45CA1000000300 PM45 Compact, Full Touch Display, Ethernet, Long Door, Fixed Hanger, Real Time Clock (RTC), Thermal Transfer (TT), 300 DPI, No Power Cord

PM45C - Full Touch - Long Door - Thermal Transfer - 406 DPI

PM45CA1000000400 PM45 Compact, Full Touch Display, Ethernet, Long Door, Fixed Hanger, Real Time Clock (RTC), Thermal Transfer (TT), 406 DPI, No Power Cord

PM45C - Full Touch - Long Door - Thermal Transfer - 600 DPI

PM45CA1000000600 PM45 Compact, Full Touch Display, Ethernet, Long Door, Fixed Hanger, Real Time Clock (RTC), Thermal Transfer (TT), 600 DPI, No Power Cord

Included in the box:

- PM45C
- PM45C Regulatory Sheet (PM45-ML-RS-01)
- Collapsible Core



- No Power Cord

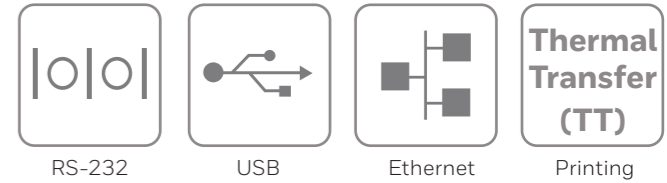
Note: Not all printer combinations are available in every region. Check your local Price Book to see which part numbers are available for sale.

Honeywell Repair Services

SVC PM45-SG3N	PM45 / PM45C, Edge Service, Gold Maintenance Contract, 3 Year, New Contract
ADD SVCPRINHEAD-PM3	AddOn, Edge Service, Printhead Refresh Service, 203 or 300 DPI, 3-Year Contract
ADD SVCACC-PRN3	AddOn, Edge Service, Accessory Service, Printer, 3 Year

PM45C 4-INCH LONG DOOR FEATURE OVERVIEW

Tear Off - Icon Display - Thermal Transfer



PM45C - Icon - Long Door - Thermal Transfer - 203 DPI

PM45CA0000000200

PM45 Compact, Icon Display, Ethernet, Long Door, Fixed Hanger, Real Time Clock (RTC), Thermal Transfer (TT), 203 DPI, No Power Cord

Included in the box:

- PM45C
- PM45C Regulatory Sheet (PM45-ML-RS-01)
- Collapsible Core



- No Power Cord

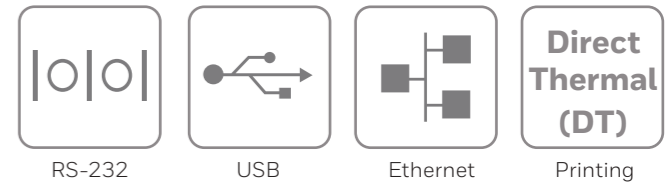
Note: Not all printer combinations are available in every region. Check your local Price Book to see which part numbers are available for sale.

Honeywell Repair Services

SVCPM45-SG3N	PM45 / PM45C, Edge Service, Gold Maintenance Contract, 3 Year, New Contract
ADD SVCPRINHEAD-PM3	AddOn, Edge Service, Printhead Refresh Service, 203 or 300 DPI, 3-Year Contract
ADD SVCACC-PRN3	AddOn, Edge Service, Accessory Service, Printer, 3 Year

PM45C 4-INCH LONG DOOR FEATURE OVERVIEW

Tear Off - Icon Display - Direct Thermal



PM45C - Icon - Long Door - Direct Thermal - 203 DPI

PM45CA0000000210

PM45 Compact, Icon Display, Ethernet, Long Door, Fixed Hanger, Real Time Clock (RTC), Direct Thermal (DT), 203 DPI, No Power Cord

Included in the box:

- PM45C
- PM45C Regulatory Sheet (PM45-ML-RS-01)
- No Power Cord

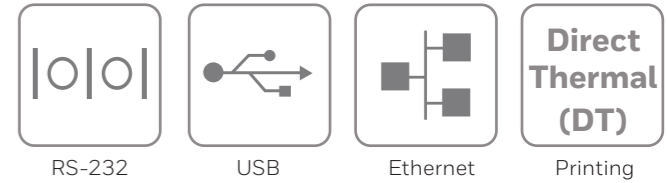
Note: Not all printer combinations are available in every region. Check your local Price Book to see which part numbers are available for sale.

Honeywell Repair Services

SVCPM45-SG3N	PM45 / PM45C, Edge Service, Gold Maintenance Contract, 3 Year, New Contract
ADD SVCPRINHEAD-PM3	AddOn, Edge Service, Printhead Refresh Service, 203 or 300 DPI, 3-Year Contract
ADD SVCACC-PRN3	AddOn, Edge Service, Accessory Service, Printer, 3 Year

PM45C 4-INCH LONG DOOR FEATURE OVERVIEW

Rewinder + Label Taken Sensor - Full Touch Display - Direct Thermal



PM45C - Full Touch - Long Door - Internal Rewind + Label Taken Sensor - Direct Thermal - 203 DPI

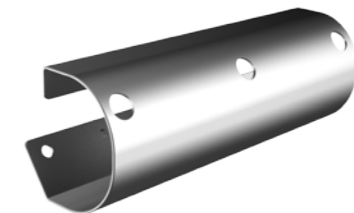
PM45CA1000030210

PM45 Compact, Full Touch Display, Ethernet, Long Door, Fixed Hanger, Rewinder + Label Taken Sensor, Real Time Clock (RTC), Direct Thermal (DT), 203 DPI, No Power Cord

Included in the box:

- PM45C
- PM45C Regulatory Sheet (PM45-ML-RS-01)
- No Power Cord

- Batch Plate (653-679-001) - Not installed in PM45C



- Ribbon Core (048524)



Note: Not all printer combinations are available in every region. Check your local Price Book to see which part numbers are available for sale.

Honeywell Repair Services

SVCPM45-SG3N

PM45 / PM45C, Edge Service, Gold Maintenance Contract, 3 Year, New Contract

ADD SVCPRINHEAD-PM3

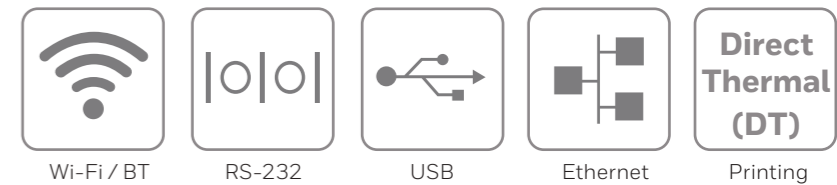
AddOn, Edge Service, Printhead Refresh Service, 203 or 300 DPI, 3-Year Contract

ADD SVCACC-PRN3

AddOn, Edge Service, Accessory Service, Printer, 3 Year

PM45C 4-INCH LONG DOOR FEATURE OVERVIEW

**Rewinder + Label Taken Sensor - Full Touch Display - Direct Thermal -
Wi-Fi/ Bluetooth (ROW)**



PM45C - Full Touch - Long Door - Internal Rewind + Label Taken Sensor - Wi-Fi/ Bluetooth - Direct Thermal - 203 DPI

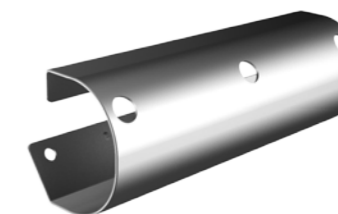
PM45CA1200030210

PM45 Compact, Full Touch Display, Ethernet, Bluetooth V5.0, Wi-Fi Rest of World (ROW) IEEE 802.11 a/b/g/n/ac Long Door, Fixed Hanger, Rewinder + Label Taken Sensor, Real Time Clock (RTC), Direct Thermal (DT), 203 DPI, No Power Cord

Included in the box:

- PM45C
- PM45C Regulatory Sheet (PM45-ML-RS-01)
- No Power Cord

- Batch Plate (653-679-001) - Not installed in PM45C



- Ribbon Core (048524)



Note: Not all printer combinations are available in every region. Check your local Price Book to see which part numbers are available for sale.

Honeywell Repair Services

SVCPM45-SG3N

PM45 / PM45C, Edge Service, Gold Maintenance Contract, 3 Year, New Contract

ADD SVCPRINHEAD-PM3

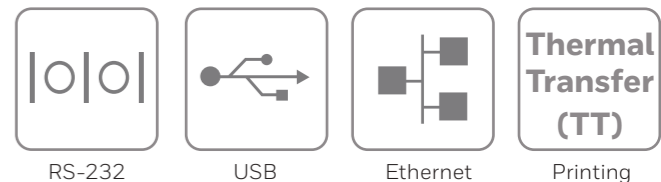
AddOn, Edge Service, Printhead Refresh Service, 203 or 300 DPI, 3-Year Contract

ADD SVCACC-PRN3

AddOn, Edge Service, Accessory Service, Printer, 3 Year

PM45C 4-INCH LONG DOOR FEATURE OVERVIEW

Rewinder + Label Taken Sensor - Full Touch Display - Thermal Transfer



PM45C - Full Touch - Long Door - Internal Rewind + Label Taken Sensor - Thermal Transfer - 203 DPI

PM45CA1000030200 PM45 Compact, Full Touch Display, Ethernet, Long Door, Fixed Hanger, Rewinder + Label Taken Sensor, Real Time Clock (RTC), Thermal Transfer (TT), 203 DPI, No Power Cord

PM45C - Full Touch - Long Door - Internal Rewind + Label Taken Sensor - Thermal Transfer - 300 DPI

PM45CA1000030300 PM45 Compact, Full Touch Display, Ethernet, Long Door, Fixed Hanger, Rewinder + Label Taken Sensor, Real Time Clock (RTC), Thermal Transfer (TT), 300 DPI, No Power Cord

PM45C - Full Touch - Long Door - Internal Rewind + Label Taken Sensor - Thermal Transfer - 406 DPI

PM45CA1000030400 PM45 Compact, Full Touch Display, Ethernet, Long Door, Fixed Hanger, Rewinder + Label Taken Sensor, Real Time Clock (RTC), Thermal Transfer (TT), 406 DPI, No Power Cord

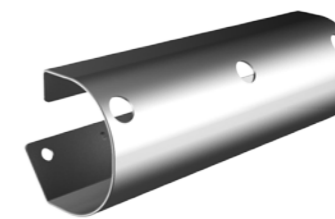
PM45C - Full Touch - Long Door - Internal Rewind + Label Taken Sensor - Thermal Transfer - 600 DPI

PM45CA1000030600 PM45 Compact, Full Touch Display, Ethernet, Long Door, Fixed Hanger, Rewinder + Label Taken Sensor, Real Time Clock (RTC), Thermal Transfer (TT), 600 DPI, No Power Cord

Included in the box:

- PM45C
- PM45C Regulatory Sheet (PM45-ML-RS-01)
- Collapsible Core

- Batch Plate (653-679-001) - Not installed in PM45C



- No Power Cord

- Ribbon Core (048524)



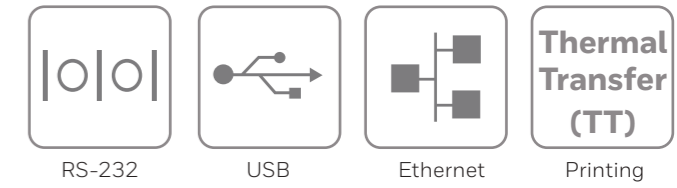
Note: Not all printer combinations are available in every region. Check your local Price Book to see which part numbers are available for sale.

Honeywell Repair Services

SVCPM45-SG3N PM45 / PM45C, Edge Service, Gold Maintenance Contract, 3 Year, New Contract

ADD SVCPRINTHEAD-PM3 AddOn, Edge Service, Printhead Refresh Service, 203 or 300 DPI, 3-Year Contract

ADD SVCACC-PRN3 AddOn, Edge Service, Accessory Service, Printer, 3 Year



PM45C 4-INCH LONG DOOR FEATURE OVERVIEW

Rewinder + Label Taken Sensor - Icon Display - Thermal Transfer



PM45C - Icon - Long Door - Internal Rewind + Label Taken Sensor - Thermal Transfer - 203 DPI

PM45CA0000030200

PM45 Compact, Icon Display, Ethernet, Long Door, Fixed Hanger, Rewinder + Label Taken Sensor, Real Time Clock (RTC), Thermal Transfer (TT), 203 DPI, No Power Cord

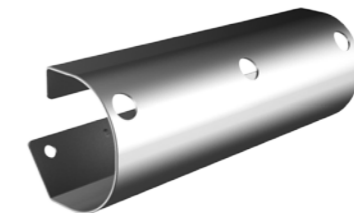
Included in the box:

- PM45C
- PM45C Regulatory Sheet (PM45-ML-RS-01)
- Collapsible Core

- Batch Plate (653-679-001) - Not installed in PM45C



- No Power Cord



- Ribbon Core (048524)



Note: Not all printer combinations are available in every region. Check your local Price Book to see which part numbers are available for sale.

Honeywell Repair Services

SVCPM45-SG3N

PM45 / PM45C, Edge Service, Gold Maintenance Contract, 3 Year, New Contract

ADD SVCPRINTHEAD-PM3

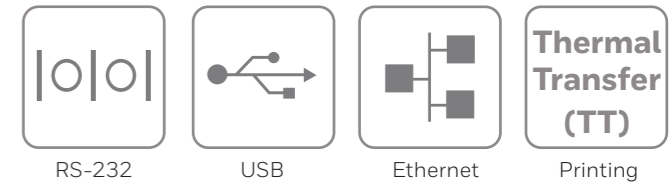
AddOn, Edge Service, Printhead Refresh Service, 203 or 300 DPI, 3-Year Contract

ADD SVCACC-PRN3

AddOn, Edge Service, Accessory Service, Printer, 3 Year

PM45C 4-INCH MEGA DOME DOOR FEATURE OVERVIEW

Tear Off - Full Touch Display - Thermal Transfer



PM45C - Full Touch - Mega Dome Door - Thermal Transfer - 203 DPI

PM45CA1020000200 PM45 Compact, Full Touch Display, Ethernet, Mega Dome Door, Fixed Hanger, Real Time Clock (RTC), Thermal Transfer (TT), 203 DPI, No Power Cord

PM45C - Full Touch - Mega Dome Door - Thermal Transfer - 300 DPI

PM45CA1020000300 PM45 Compact, Full Touch Display, Ethernet, Mega Dome Door, Fixed Hanger, Real Time Clock (RTC), Thermal Transfer (TT), 300 DPI, No Power Cord

PM45C - Full Touch - Mega Dome Door - Thermal Transfer - 406 DPI

PM45CA1020000400 PM45 Compact, Full Touch Display, Ethernet, Mega Dome Door Fixed Hanger, Real Time Clock (RTC), Thermal Transfer (TT), 406 DPI, No Power Cord

PM45C - Full Touch - Mega Dome Door - Thermal Transfer - 600 DPI

PM45CA1020000600 PM45 Compact, Full Touch Display, Ethernet, Mega Dome Door, Fixed Hanger, Real Time Clock (RTC), Thermal Transfer (TT), 600 DPI, No Power Cord

Included in the box:

- PM45C
- PM45C Regulatory Sheet (PM45-ML-RS-01)
- Collapsible Core



- No Power Cord

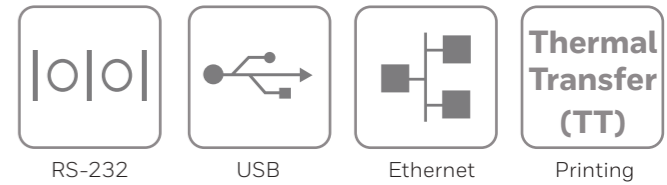
Note: Not all printer combinations are available in every region. Check your local Price Book to see which part numbers are available for sale.

Honeywell Repair Services

SVC PM45-SG3N	PM45 / PM45C, Edge Service, Gold Maintenance Contract, 3 Year, New Contract
ADD SVCPRINTHEAD-PM3	AddOn, Edge Service, Printhead Refresh Service, 203 or 300 DPI, 3-Year Contract
ADD SVCACC-PRN3	AddOn, Edge Service, Accessory Service, Printer, 3 Year

PM45C 4-INCH MEGA DOME DOOR FEATURE OVERVIEW

Tear Off - Icon Display - Thermal Transfer



PM45C - Icon - Mega Dome Door - Thermal Transfer - 203 DPI

PM45CA0020000200

PM45 Compact, Icon Display, Ethernet, Mega Dome Door, Fixed Hanger, Real Time Clock (RTC), Thermal Transfer (TT), 203 DPI, No Power Cord

Included in the box:

- PM45C
- PM45C Regulatory Sheet (PM45-ML-RS-01)
- Collapsible Core



- No Power Cord

Note: Not all printer combinations are available in every region. Check your local Price Book to see which part numbers are available for sale.

Honeywell Repair Services

SVCPM45-SG3N

PM45 / PM45C, Edge Service, Gold Maintenance Contract, 3 Year, New Contract

ADD SVCPRINHEAD-PM3

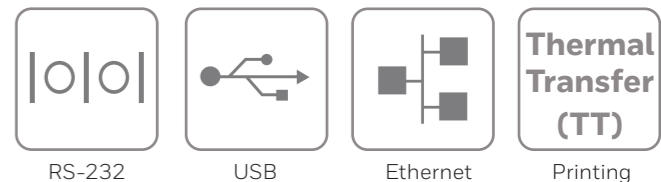
AddOn, Edge Service, Printhead Refresh Service, 203 or 300 DPI, 3-Year Contract

ADD SVCACC-PRN3

AddOn, Edge Service, Accessory Service, Printer, 3 Year

PM45C 4-INCH MEGA DOME DOOR FEATURE OVERVIEW

Rewinder + Label Taken Sensor – Full Touch Display – Thermal Transfer



PM45C - Full Touch - Mega Dome Door - Internal Rewind + Label Taken Sensor - Thermal Transfer - 203 DPI

PM45CA1020030200 PM45 Compact, Full Touch Display, Ethernet, Mega Dome Door, Fixed Hanger, Rewinder + Label Taken Sensor, Real Time Clock (RTC), Thermal Transfer (TT), 203 DPI, No Power Cord

PM45C - Full Touch - Mega Dome Door - Internal Rewind + Label Taken Sensor - Thermal Transfer - 300 DPI

PM45CA1020030300 PM45 Compact, Full Touch Display, Ethernet, Mega Dome Door, Fixed Hanger, Rewinder + Label Taken Sensor, Real Time Clock (RTC), Thermal Transfer (TT), 300 DPI, No Power Cord

PM45C - Full Touch - Mega Dome Door - Internal Rewind + Label Taken Sensor - Thermal Transfer - 406 DPI

PM45CA1020030400 PM45 Compact, Full Touch Display, Ethernet, Mega Dome Door, Fixed Hanger, Rewinder + Label Taken Sensor, Real Time Clock (RTC), Thermal Transfer (TT), 406 DPI, No Power Cord

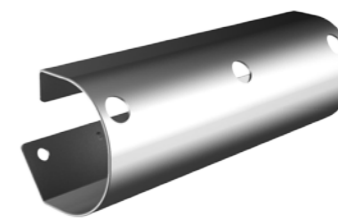
PM45C - Full Touch - Mega Dome Door - Internal Rewind + Label Taken Sensor - Thermal Transfer - 600 DPI

PM45CA1020030600 PM45 Compact, Full Touch Display, Ethernet, Mega Dome Door, Fixed Hanger, Rewinder + Label Taken Sensor, Real Time Clock (RTC), Thermal Transfer (TT), 600 DPI, No Power Cord

Included in the box:

- PM45C
- PM45C Regulatory Sheet (PM45-ML-RS-01)
- Collapsible Core

- Batch Plate (653-679-001) - Not installed in PM45C



- No Power Cord

- Ribbon Core (048524)



Note: Not all printer combinations are available in every region. Check your local Price Book to see which part numbers are available for sale.




Honeywell Repair Services

SVCPM45-SG3N	PM45 / PM45C, Edge Service, Gold Maintenance Contract, 3 Year, New Contract
ADD SVCPRINTHEAD-PM3	AddOn, Edge Service, Printhead Refresh Service, 203 or 300 DPI, 3-Year Contract
ADD SVCACC-PRN3	AddOn, Edge Service, Accessory Service, Printer, 3 Year

PM45C 4-INCH CONFIGURATION MAP

Compact Industrial Printer

VERSION
USER INTERFACE
CONNECTIVITY
MEDIA COVER
I/O OPTION 1
OPTION 1
MEDIA HANDLING
PRINT OPTION
POWER CORD

PM45C		DESCRIPTION	NOTES
A		Standard	1 x USB A Port (USB 2.0 Host), 1 x USB B Port (USB 2.0 Device), 1 x DB9F (RS-232, up to 115.2 KB/s), Real Time Clock (RTC)
	0	Icon User Interface	
	1	Full Touch User Interface	
	2	Icon User Interface + Bluetooth Low Energy (BLE)	Bluetooth Low Energy (BLE) used for communication with PrintSet MC Application
	3	Full Touch User Interface + Bluetooth Low Energy (BLE)	Bluetooth Low Energy (BLE) used for communication with PrintSet MC Application
	0	Ethernet	Ethernet 10/100/1000 Mbps
	1	Ethernet + WLAN North America (NA) + Bluetooth	Available as Kit - Part# 50178327-001 Wi-Fi 5 802.11 a/b/g/n/ac + V5.0 Bluetooth Kit (North America)
	2	Ethernet + WLAN Rest Of World (ROW) + Bluetooth	Available as Kit - Part# 50174832-001 Wi-Fi 5 802.11 a/b/g/n/ac + V5.0 Bluetooth Kit (Rest Of World)
	0	Long Door	 Available as Kit - Part# PM45C-LD-KIT Door, Long Assy, PM45C
	1	Short Door	 Available as Kit - Part# PM45C-SD-KIT Door, Short Assy, PM45C
	2	Mega Dome Door	 Available as Kit - Part# PM45C-MD-KIT Door, Mega Dome Assy, PM45C
	00	None	
	01	Parallel Interface	Available as Kit - Part# PM45-PAR-01 PARALLEL IEEE 1284 INTERFACE PM45/ PM65
	02	Industrial Interface	Available as Kit - Part# PM45-IND-01 UART + INDUSTRIAL INTERFACE PM45/ PM65
	03	Applicator Interface	Available as Kit - Part# PM45-APPL-01 APPLICATOR INTERFACE PM45/ PM65
	EU	UHF RFID Europe (EU) - 869MHz	Available as Kit - Part# 50180233-001 RFID IM11 INTERFACE EU/ ROW,ASSY,PM45/ PM65
	NA	UHF RFID North America (NA) - 915MHz	Available as Kit - Part# 50180747-001 RFID IM11 INTERFACE NA,ASSY,PM45/ PM65
	0	None	
	1	Label Taken Sensor (LTS)	Available as Kit - Part# 715-616S-001 Label Taken Sensor (LTS), Spare Kit, PM43/ PM45/ PM65
	2	Rewinder	Available as Kit - Part# 50178326-001 PM45 Rewinder,Media Internal Sub-Assembly
	3	Rewinder + Label Taken Sensor (LTS)	Available as Kit - Part# 50178326-001 PM45 Rewinder,Media Internal Sub-Assembly + Part# 715-616S-001 Label Taken Sensor (LTS), PM45/ PM65
	0	Fixed Hanger	
	1	Rotating Hanger	Available as Kit - Part# 203-977-001 KIT, ROTATION HANGER + Part# 203-972-001 - 3 inch Media Core
	20	Thermal Transfer (TT) 203 DPI	Available as Kit - Part# 50180236-001 PRINTHEAD ASSY 203 DPI,PM45/PM45C
	21	Direct Thermal (DT) 203 DPI	Available as Kit - Part# 50180236-001 PRINTHEAD ASSY 203 DPI,PM45/PM45C
	30	Thermal Transfer (TT) 300 DPI	Available as Kit - Part# 50180237-001 PRINTHEAD ASSY 300 DPI,PM45/PM45C
	31	Direct Thermal (DT) 300 DPI	Available as Kit - Part# 50180237-001 PRINTHEAD ASSY 300 DPI,PM45/PM45C
	40	Thermal Transfer (TT) 406 DPI	Available as Kit - Part# 50180238-001 PRINTHEAD ASSY 406 DPI,PM45/PM45C
	41	Direct Thermal (DT) 406 DPI	Available as Kit - Part# 50180238-001 PRINTHEAD ASSY 406 DPI,PM45/PM45C
	60	Thermal Transfer (TT) 600 DPI	Available as Kit - Part# 50180234-001 PRINTHEAD ASSY 600 DPI,PM45/PM45C
	61	Direct Thermal (DT) 600 DPI	Available as Kit - Part# 50180234-001 PRINTHEAD ASSY 600 DPI,PM45/PM45C
	0	None	AC Power Cord C13 Type Connector
	1	US Power Cord	AC Power Cord C13 Type Connector
	2	EU Power Cord	AC Power Cord C13 Type Connector
	6	India Power Cord	AC Power Cord C13 Type Connector



PM65 6-INCH PRINTING OPTIONS



Tear Off

Most commonly used, print any number of labels and simply tear the labels off from the printer at the end of the print job. This method of printing is available on any PM65 configuration.



Cutter

A cutter can be added to any configuration of PM65, simply cutting between labels, or at intervals on continuous media. This method of printing is available on any PM65 configuration.



Peel & Present (Standard Self-Strip using Tear Bar)

Self-Strip prints and presents only one label at a time already peeled from the backing strip/ liner, the next label will only be printed once the original label is removed from the media path. Not applicable for all media types, use Peel Off Kit for best results.
PM65Axxxxx3xxxx PM65 with Internal Rewind + LTS



Peel & Present (Enhanced Self-Strip with Peel Off Kit)

Self-Strip prints and presents only one label at a time already peeled from the backing strip/ liner, the next label will only be printed once the original label is removed from the media path.
PM65Axxxxx3xxxx PM65 with Internal Rewind + LTS
PM65-LD Label Dispenser kit



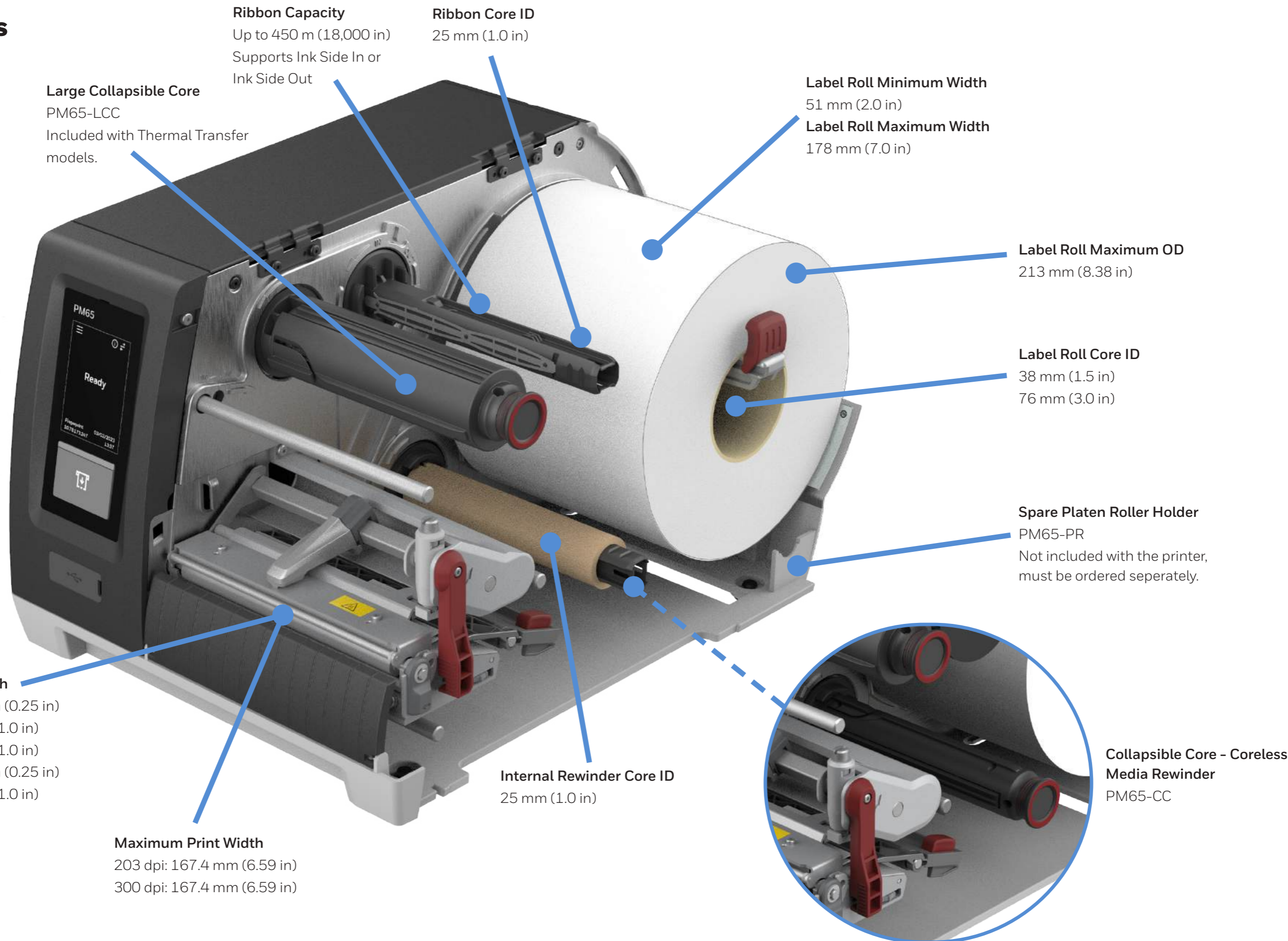
Batch Plate with Internal Rewinder

The Batch Plate with Internal Rewinder is used to pre-print labels and rewind them inside the PM65. Depending on the label size up to 1/3 of a full roll can be stored inside the PM65.
PM65Axxxxx3xxxx PM65 with Internal Rewind + LTS

ID = Inside Diameter
OD = Outside Diameter

PM65 6-INCH MEDIA

Specifications



Large Collapsible Core
PM65-LCC
Included with Thermal Transfer models.

Ribbon Capacity
Up to 450 m (18,000 in)
Supports Ink Side In or Ink Side Out

Ribbon Core ID
25 mm (1.0 in)

Label Roll Minimum Width
51 mm (2.0 in)
Label Roll Maximum Width
178 mm (7.0 in)

Label Roll Maximum OD
213 mm (8.38 in)

Label Roll Core ID
38 mm (1.5 in)
76 mm (3.0 in)

Spare Platen Roller Holder
PM65-PR
Not included with the printer, must be ordered separately.

Minimum Label Length

Tear Off	6.35 mm (0.25 in)
Peel-Off Kit	25 mm (1.0 in)
Cutter	25 mm (1.0 in)
Rewind	6.35 mm (0.25 in)
RFID	25 mm (1.0 in)

Maximum Print Width
203 dpi: 167.4 mm (6.59 in)
300 dpi: 167.4 mm (6.59 in)

Internal Rewinder Core ID
25 mm (1.0 in)

Collapsible Core - Coreless Media Rewinder
PM65-CC

ID = Inside Diameter
OD = Outside Diameter

PM65 6-INCH MEDIA

Fixed Media Hanger vs Rotating Media Hanger



Fixed Media Hanger + Label Roll Core 76 mm (3.0 in) ID
Shown with Label Roll 213 mm (8.38 in) OD
Typical length of material with typical thickness of labels ~ 195 m



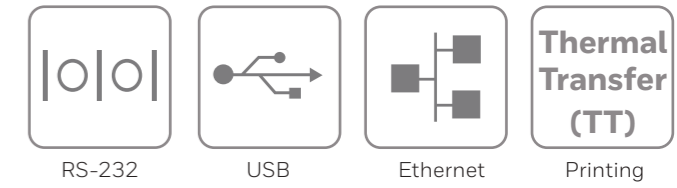
Rotating Media Hanger + Label Roll Core 76 mm (3.0 in) ID
Shown with Label Roll 213 mm (8.38 in) OD
Typical length of material with typical thickness of labels ~ 195 m



Fixed Media Hanger + Label Roll Core 38 mm (1.5 in) ID
Shown with Label Roll 213 mm (8.38 in) OD
Typical length of material with typical thickness of labels ~ 220 m



Rotating Media Hanger + Label Roll Core 38 mm (1.5 in) ID
Shown with Label Roll 213 mm (8.38 in) OD
Typical length of material with typical thickness of labels ~ 220 m



PM65 6-INCH FEATURE OVERVIEW

Tear Off - Full Touch Display - Thermal Transfer



PM65A - Full Touch - Thermal Transfer - 203 DPI

PM65A10000000200

PM65A, 6-inch, Full Touch Display, Ethernet, Fixed Hanger, Real Time Clock (RTC), Thermal Transfer (TT) 203 DPI, US & EU Power Cord

PM65A - Full Touch - Thermal Transfer - 300 DPI

PM65A10000000300

PM65A, 6-inch, Full Touch Display, Ethernet, Fixed Hanger, Real Time Clock (RTC), Thermal Transfer (TT) 300 DPI, US & EU Power Cord

Included in the box:

- PM65A
- PM65 Regulatory Sheet (PM65-ML-RS-01)
- Collapsible Core



- US & EU Power Cord

Note: Not all printer combinations are available in every region. Check your local Price Book to see which part numbers are available for sale.

Honeywell Repair Services

SVCPM65-SG3N

PM65, Edge Service, Gold Maintenance Contract, 3 Year, New Contract

ADD SVCPRINTHEAD-PM3

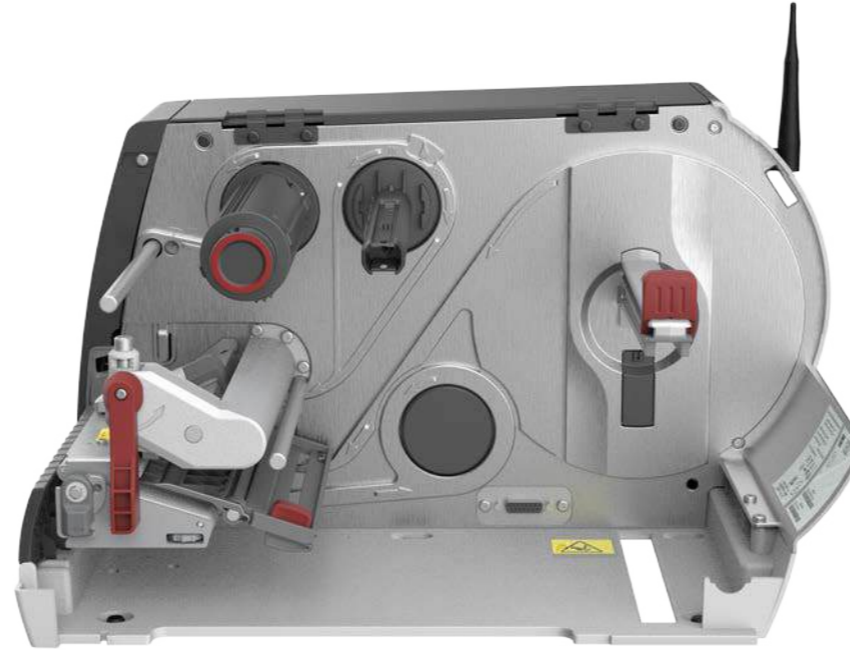
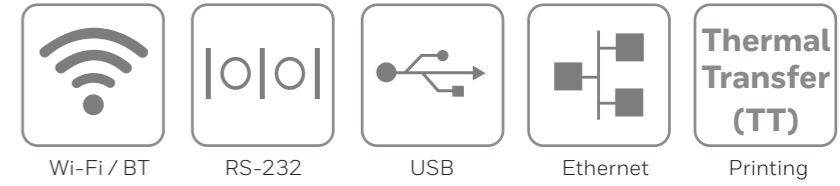
AddOn, Edge Service, Printhead Refresh Service, 203 or 300 DPI, 3-Year Contract

ADD SVCACC-PRN3

AddOn, Edge Service, Accessory Service, Printer, 3 Year

PM65 6-INCH FEATURE OVERVIEW

Tear Off - Full Touch Display - Thermal Transfer - Wi-Fi/ Bluetooth (ROW)



PM65A - Full Touch - Wi-Fi/ Bluetooth (ROW) - Thermal Transfer - 203 DPI

PM65A12000000200 PM65A, 6-inch, Full Touch Display, Ethernet, Bluetooth V5.2, Wi-Fi6 Rest of World (ROW) IEEE 802.11 a/b/g/n/ac/ax, Fixed Hanger, Real Time Clock (RTC), Thermal Transfer (TT) 203 DPI, US & EU Power Cord

PM65A - Full Touch - Wi-Fi/ Bluetooth (ROW) - Thermal Transfer - 300 DPI

PM65A12000000300 PM65A, 6-inch, Full Touch Display, Ethernet, Bluetooth V5.1, Wi-Fi6 Rest of World (ROW) IEEE 802.11 a/b/g/n/ac/ax, Fixed Hanger, Real Time Clock (RTC), Thermal Transfer (TT) 300 DPI, US & EU Power Cord

Included in the box:

- PM65A
- PM65 Regulatory Sheet (PM65-ML-RS-01)
- Collapsible Core



- US & EU Power Cord

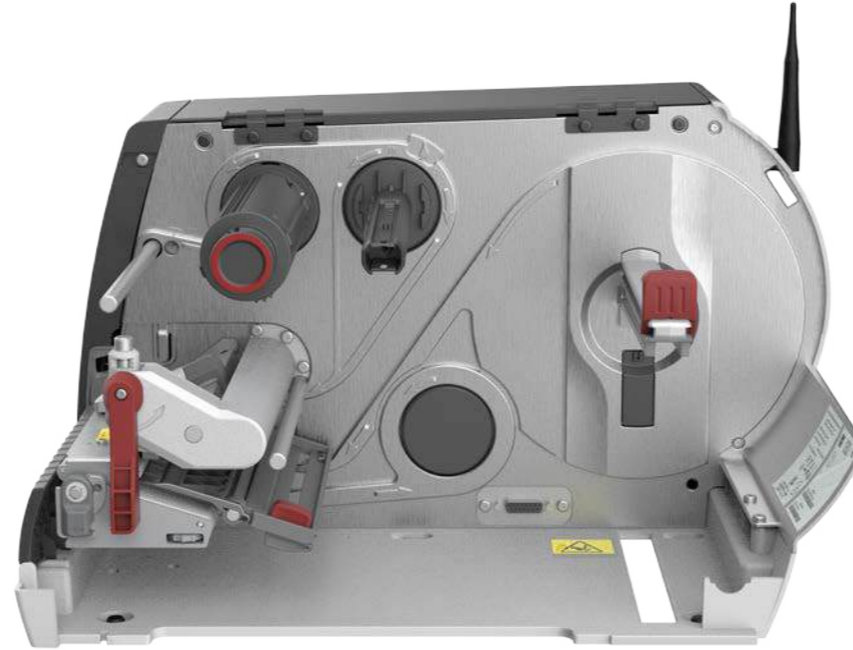
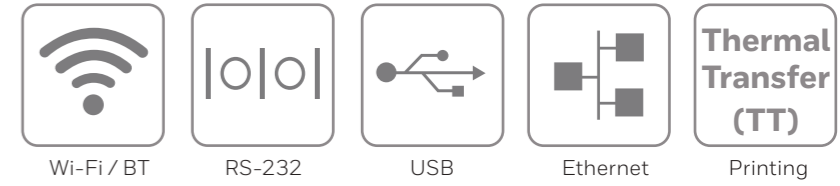
Note: Not all printer combinations are available in every region. Check your local Price Book to see which part numbers are available for sale.

Honeywell Repair Services

SVC PM65-SG3N	PM65, Edge Service, Gold Maintenance Contract, 3 Year, New Contract
ADD SVCPRINTHEAD-PM3	AddOn, Edge Service, Printhead Refresh Service, 203 or 300 DPI, 3-Year Contract
ADD SVCACC-PRN3	AddOn, Edge Service, Accessory Service, Printer, 3 Year

PM65 6-INCH FEATURE OVERVIEW

Tear Off - Full Touch Display - Thermal Transfer - Wi-Fi/ Bluetooth (NA)



PM65A - Full Touch - Wi-Fi/ Bluetooth (NA) - Thermal Transfer - 203 DPI

PM65A11000000201 PM65A, 6-inch, Full Touch Display, Ethernet, Bluetooth V5.2, Wi-Fi6 North America (NA) IEEE 802.11 a/b/g/n/ac/ax, Fixed Hanger, Real Time Clock (RTC), Thermal Transfer (TT) 203 DPI, US Power Cord

PM65A - Full Touch - Wi-Fi/ Bluetooth (NA) - Thermal Transfer - 300 DPI

PM65A11000000301 PM65A, 6-inch, Full Touch Display, Ethernet, Bluetooth V5.2, Wi-Fi6 North America (NA) IEEE 802.11 a/b/g/n/ac/ax, Fixed Hanger, Real Time Clock (RTC), Thermal Transfer (TT) 300 DPI, US Power Cord

Included in the box:

- PM65A
- PM65 Regulatory Sheet (PM65-ML-RS-01)
- Collapsible Core



- US Power Cord

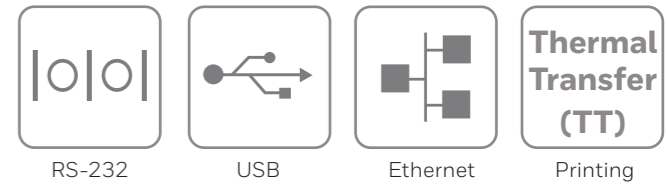
Note: Not all printer combinations are available in every region. Check your local Price Book to see which part numbers are available for sale.

Honeywell Repair Services

SVC PM65-SG3N	PM65, Edge Service, Gold Maintenance Contract, 3 Year, New Contract
ADD SVCPRINTHEAD-PM3	AddOn, Edge Service, Printhead Refresh Service, 203 or 300 DPI, 3-Year Contract
ADD SVCACC-PRN3	AddOn, Edge Service, Accessory Service, Printer, 3 Year

PM65 6-INCH FEATURE OVERVIEW

Tear Off - Icon Display - Thermal Transfer



PM65A - Icon - Thermal Transfer - 203 DPI

PM65A00000000200

PM65A, 6-inch, Icon Display, Ethernet, Fixed Hanger, Real Time Clock (RTC), Thermal Transfer (TT) 203 DPI, US & EU Power Cord

PM65A - Icon - Thermal Transfer - 300 DPI

PM65A00000000300

PM65A, 6-inch, Icon Display, Ethernet, Fixed Hanger, Real Time Clock (RTC), Thermal Transfer (TT) 300 DPI, US & EU Power Cord

Included in the box:

- PM65A
- PM65 Regulatory Sheet (PM65-ML-RS-01)
- Collapsible Core



- US & EU Power Cord

Note: Not all printer combinations are available in every region. Check your local Price Book to see which part numbers are available for sale.

Honeywell Repair Services

SVCPM65-SG3N

PM65, Edge Service, Gold Maintenance Contract, 3 Year, New Contract

ADD SVCPRINTHEAD-PM3

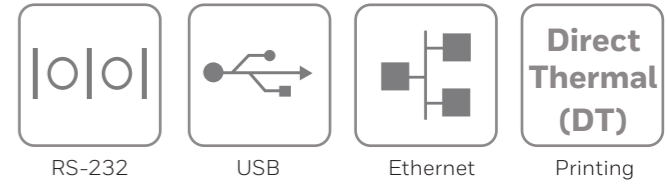
AddOn, Edge Service, Printhead Refresh Service, 203 or 300 DPI, 3-Year Contract

ADD SVCACC-PRN3

AddOn, Edge Service, Accessory Service, Printer, 3 Year

PM65 6-INCH FEATURE OVERVIEW

Tear Off - Icon Display - Direct Thermal



PM65A - Icon - Direct Thermal - 203 DPI

PM65A00000000210

PM65A, 6-inch, Icon Display, Ethernet, Fixed Hanger, Real Time Clock (RTC), Direct Thermal (DT) 203 DPI, US & EU Power Cord

PM65A - Icon - Direct Thermal - 300 DPI

PM65A00000000310

PM65A, 6-inch, Icon Display, Ethernet, Fixed Hanger, Real Time Clock (RTC), Direct Thermal (DT) 300 DPI, US & EU Power Cord

Included in the box:

- PM65A
- PM65 Regulatory Sheet (PM65-ML-RS-01)
- US & EU Power Cord

Note: Not all printer combinations are available in every region. Check your local Price Book to see which part numbers are available for sale.

Honeywell Repair Services

SVCPM65-SG3N

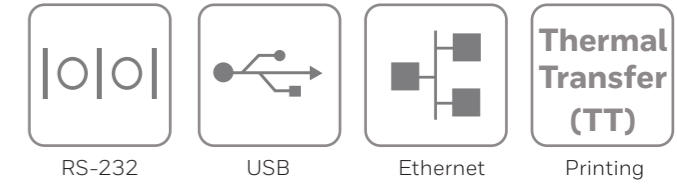
PM65, Edge Service, Gold Maintenance Contract, 3 Year, New Contract

ADD SVCPRINHEAD-PM3

AddOn, Edge Service, Printhead Refresh Service, 203 or 300 DPI, 3-Year Contract

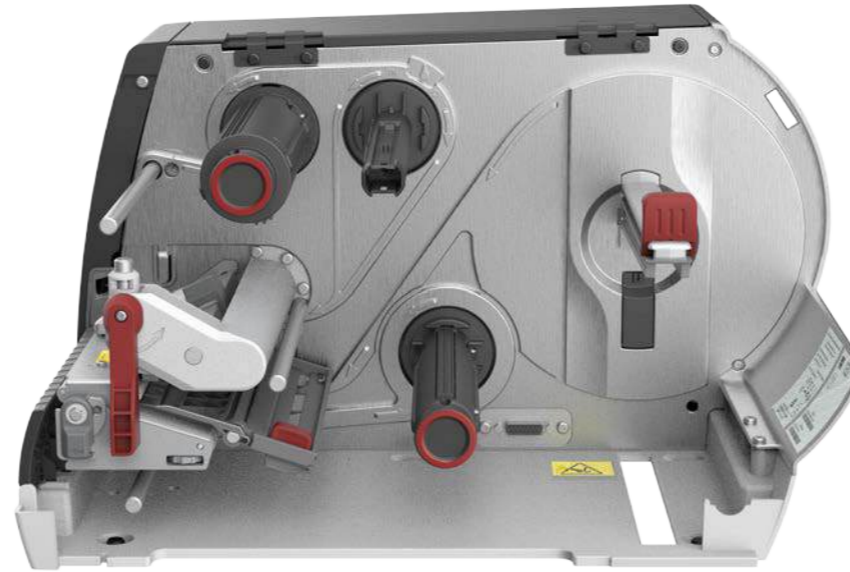
ADD SVCACC-PRN3

AddOn, Edge Service, Accessory Service, Printer, 3 Year



PM65 6-INCH FEATURE OVERVIEW

Rewinder + Label Taken Sensor - Full Touch Display - Thermal Transfer



PM65A - Full Touch - Internal Rewind + Label Taken Sensor - Thermal Transfer - 203 DPI

PM65A10000030200 PM65A, 6-inch, Full Touch Display, Ethernet, Rewinder + Label Taken Sensor, Fixed Hanger, Real Time Clock (RTC), Thermal Transfer (TT) 203 DPI, US & EU Power Cord

PM65A - Full Touch - Internal Rewind + Label Taken Sensor - Thermal Transfer - 300 DPI

PM65A10000030300 PM65A, 6-inch, Full Touch Display, Ethernet, Rewinder + Label Taken Sensor, Fixed Hanger, Real Time Clock (RTC), Thermal Transfer (TT) 300 DPI, US & EU Power Cord

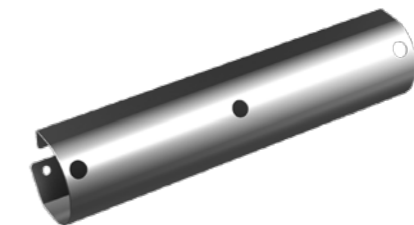
Included in the box:

- PM65A
- PM65 Regulatory Sheet (PM65-ML-RS-01)
- Large Collapsible Core

- Batch Plate (3011-4458-001) - Not installed in PM65



- Collapsible Core



- Ribbon Core (3011-4421-001)



- US & EU Power Cord



Honeywell Repair Services

SVCPM65-SG3N PM65, Edge Service, Gold Maintenance Contract, 3 Year, New Contract

ADD SVCPRINTHEAD-PM3 AddOn, Edge Service, Printhead Refresh Service, 203 or 300 DPI, 3-Year Contract

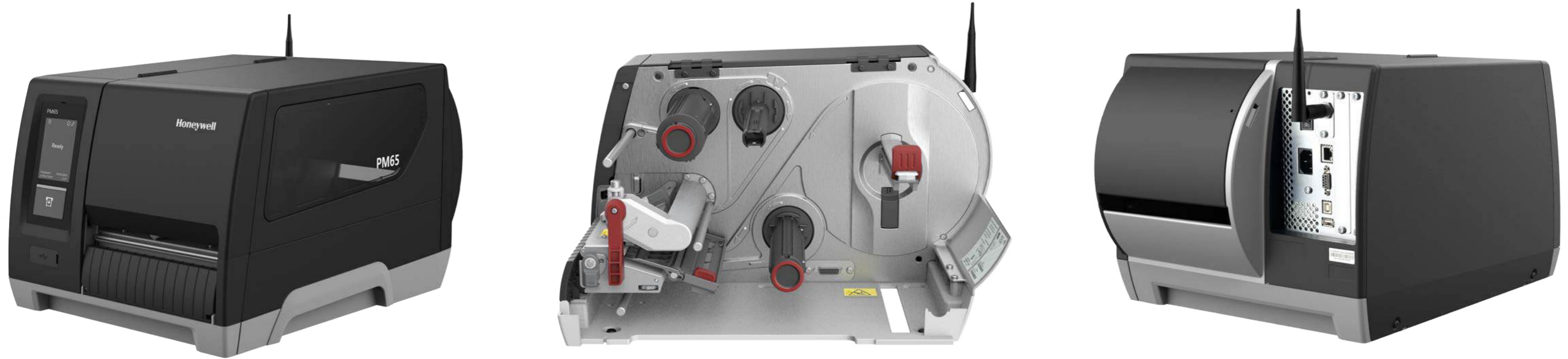
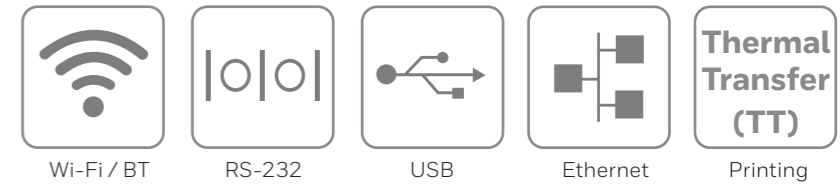
ADD SVCACC-PRN3 AddOn, Edge Service, Accessory Service, Printer, 3 Year

Note: Not all printer combinations are available in every region. Check your local Price Book to see which part numbers are available for sale.

PM65 6-INCH FEATURE OVERVIEW

Rewinder + Label Taken Sensor - Full Touch Display - Thermal Transfer

Wi-Fi/ Bluetooth (ROW)



PM65A - Full Touch - Internal Rewind + Label Taken Sensor - Wi-Fi/ Bluetooth (ROW) - Thermal Transfer - 203 DPI

PM65A12000030200 PM65A, 6-inch, Full Touch Display, Ethernet, Bluetooth V5.2, Wi-Fi6 Rest of World (ROW) IEEE 802.11 a/b/g/n/ac/ax, Rewinder + Label Taken Sensor, Fixed Hanger, Real Time Clock (RTC), Thermal Transfer (TT) 203 DPI, US & EU Power Cord

PM65A - Full Touch - Internal Rewind + Label Taken Sensor - Wi-Fi/ Bluetooth (ROW) - Thermal Transfer - 300 DPI

PM65A12000030300 PM65A, 6-inch, Full Touch Display, Ethernet, Bluetooth V5.2, Wi-Fi6 Rest of World (ROW) IEEE 802.11 a/b/g/n/ac/ax, Rewinder + Label Taken Sensor, Fixed Hanger, Real Time Clock (RTC), Thermal Transfer (TT) 300 DPI, US & EU Power Cord

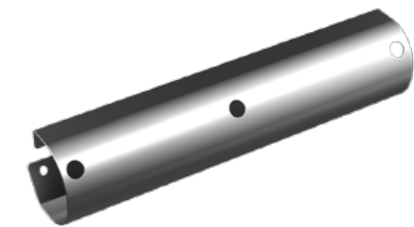
Included in the box:

- PM65A
- PM65 Regulatory Sheet (PM65-ML-RS-01)
- Large Collapsible Core

- Batch Plate (3011-4458-001) - Not installed in PM65



- Collapsible Core



- Ribbon Core (3011-4421-001)



- US & EU Power Cord



Note: Not all printer combinations are available in every region. Check your local Price Book to see which part numbers are available for sale.

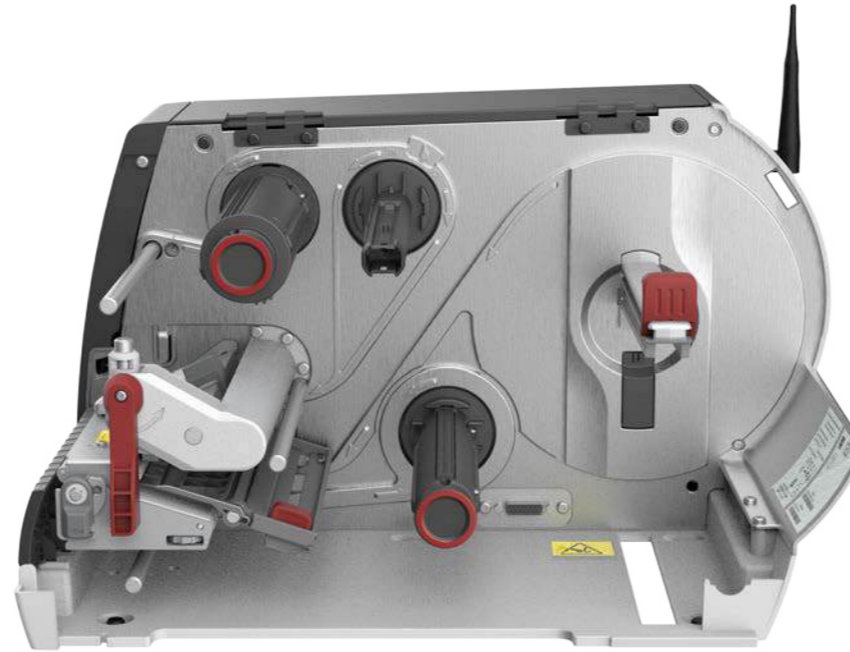
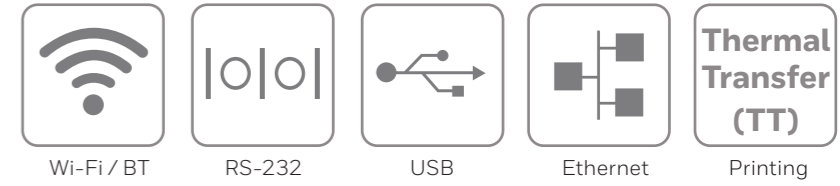
Honeywell Repair Services

SVCPM65-SG3N	PM65, Edge Service, Gold Maintenance Contract, 3 Year, New Contract
ADD SVCPRINTHEAD-PM3	AddOn, Edge Service, Printhead Refresh Service, 203 or 300 DPI, 3-Year Contract
ADD SVCACC-PRN3	AddOn, Edge Service, Accessory Service, Printer, 3 Year

PM65 6-INCH FEATURE OVERVIEW

Rewinder + Label Taken Sensor - Full Touch Display - Thermal Transfer

Wi-Fi/ Bluetooth (NA)



PM65A - Full Touch - Internal Rewind + Label Taken Sensor - Wi-Fi/ Bluetooth (NA) - Thermal Transfer - 203 DPI

PM65A11000030201 PM65A, 6-inch, Full Touch Display, Ethernet, Bluetooth V5.2, Wi-Fi6 North America (NA) IEEE 802.11 a/b/g/n/ac/ax, Rewinder + Label Taken Sensor, Fixed Hanger, Real Time Clock (RTC), Thermal Transfer (TT) 203 DPI, US Power Cord

PM65A - Full Touch - Internal Rewind + Label Taken Sensor - Wi-Fi/ Bluetooth (NA) - Thermal Transfer - 300 DPI

PM65A11000030301 PM65A, 6-inch, Full Touch Display, Ethernet, Bluetooth V5.2, Wi-Fi6 North America (NA) IEEE 802.11 a/b/g/n/ac/ax, Rewinder + Label Taken Sensor, Fixed Hanger, Real Time Clock (RTC), Thermal Transfer (TT) 300 DPI, US Power Cord

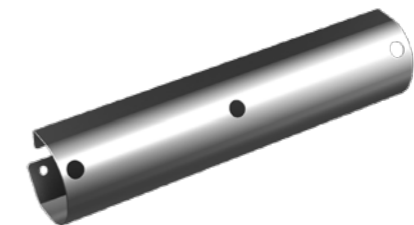
Included in the box:

- PM65A
- PM65 Regulatory Sheet (PM65-ML-RS-01)
- Large Collapsible Core

- Batch Plate (3011-4458-001) - Not installed in PM65



- Collapsible Core



- Ribbon Core (3011-4421-001)



- US & EU Power Cord



Note: Not all printer combinations are available in every region. Check your local Price Book to see which part numbers are available for sale.

Honeywell Repair Services

SVCPM65-SG3N

PM65, Edge Service, Gold Maintenance Contract, 3 Year, New Contract

ADD SVCPRINTHEAD-PM3

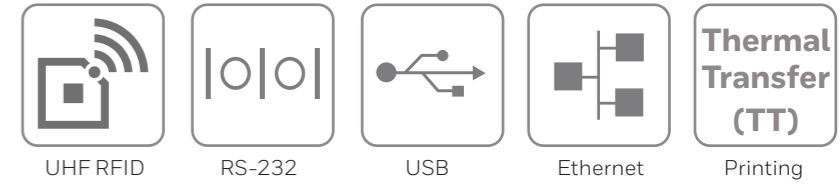
AddOn, Edge Service, Printhead Refresh Service, 203 or 300 DPI, 3-Year Contract

ADD SVCACC-PRN3

AddOn, Edge Service, Accessory Service, Printer, 3 Year

PM65 6-INCH FEATURE OVERVIEW

Rewinder + Label Taken Sensor - Full Touch Display - Thermal Transfer - RFID (EU)



PM65A - Full Touch - Internal Rewind + Label Taken Sensor - UHF RFID - Thermal Transfer - 203 DPI

PM65A1000EU30202

PM65A, 6-inch, Full Touch Display, Ethernet, UHF RFID Europe/ ROW (EU), Rewinder + Label Taken Sensor, Fixed Hanger, Real Time Clock (RTC), Thermal Transfer (TT) 203 DPI, EU Power Cord

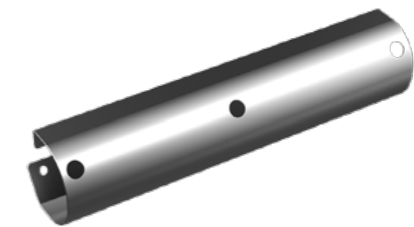
Included in the box:

- PM65A
- PM65 Regulatory Sheet (PM65-ML-RS-01)
- Large Collapsible Core

- Batch Plate (3011-4458-001) - Not installed in PM65



- Collapsible Core



- Ribbon Core (3011-4421-001)



- US & EU Power Cord



Note: Not all printer combinations are available in every region. Check your local Price Book to see which part numbers are available for sale.

Honeywell Repair Services

SVCPM65-SG3N

PM65, Edge Service, Gold Maintenance Contract, 3 Year, New Contract

ADD SVCPRINTHEAD-PM3

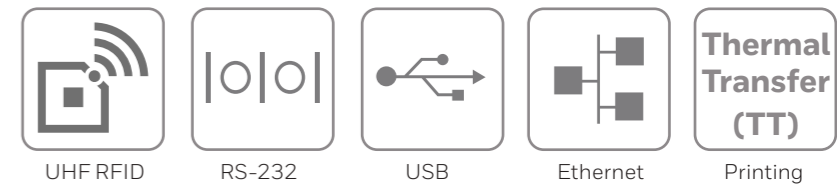
AddOn, Edge Service, Printhead Refresh Service, 203 or 300 DPI, 3-Year Contract

ADD SVCACC-PRN3

AddOn, Edge Service, Accessory Service, Printer, 3 Year

PM65 6-INCH FEATURE OVERVIEW

Rewinder + Label Taken Sensor - Full Touch Display - Thermal Transfer - RFID (NA)



PM65A - Full Touch - Internal Rewind + Label Taken Sensor - UHF RFID - Thermal Transfer - 203 DPI

PM65A1000NA30201

PM65A, 6-inch, Full Touch Display, Ethernet, UHF RFID North America (NA), Rewinder + Label Taken Sensor, Fixed Hanger, Real Time Clock (RTC), Thermal Transfer (TT) 203 DPI, US Power Cord

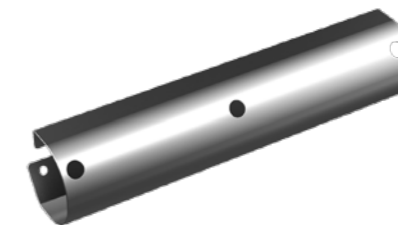
Included in the box:

- PM65A
- PM65 Regulatory Sheet (PM65-ML-RS-01)
- Large Collapsible Core

- Batch Plate (3011-4458-001) - Not installed in PM65



- Collapsible Core



- Ribbon Core (3011-4421-001)



- US & EU Power Cord



Note: Not all printer combinations are available in every region. Check your local Price Book to see which part numbers are available for sale.

Honeywell Repair Services

SVCPM65-SG3N

PM65, Edge Service, Gold Maintenance Contract, 3 Year, New Contract

ADD SVCPRINTHEAD-PM3

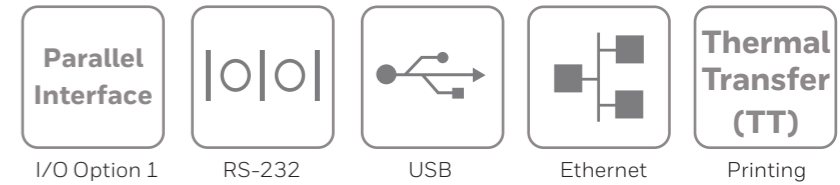
AddOn, Edge Service, Printhead Refresh Service, 203 or 300 DPI, 3-Year Contract

ADD SVCACC-PRN3

AddOn, Edge Service, Accessory Service, Printer, 3 Year

PM65 6-INCH FEATURE OVERVIEW

Rewinder + Label Taken Sensor - Full Touch Display - Parallel Interface- Thermal Transfer



PM65A - Full Touch - Internal Rewind + Label Taken Sensor - Parallel Interface - Thermal Transfer - 203 DPI

PM65A10010030200 PM65A, 6-inch, Full Touch Display, Ethernet, Parallel Interface, Rewinder + Label Taken Sensor, Fixed Hanger, Real Time Clock (RTC), Thermal Transfer (TT) 203 DPI, US & EU Power Cord

PM65A - Full Touch - Internal Rewind + Label Taken Sensor - Parallel Interface - Thermal Transfer - 300 DPI

PM65A10010030300 PM65A, 6-inch, Full Touch Display, Ethernet, Parallel Interface, Rewinder + Label Taken Sensor, Fixed Hanger, Real Time Clock (RTC), Thermal Transfer (TT) 300 DPI, US & EU Power Cord

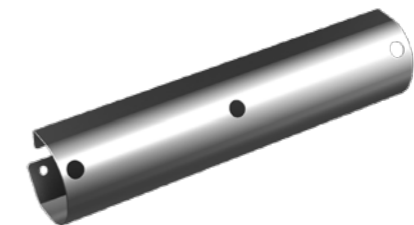
Included in the box:

- PM65A
- PM65 Regulatory Sheet (PM65-ML-RS-01)
- Large Collapsible Core

- Batch Plate (3011-4458-001) - Not installed in PM65



- Collapsible Core



- Ribbon Core (3011-4421-001)



- US & EU Power Cord



Note: Not all printer combinations are available in every region. Check your local Price Book to see which part numbers are available for sale.

Honeywell Repair Services

SVC SPCPM65-SG3N	PM65, Edge Service, Gold Maintenance Contract, 3 Year, New Contract
ADD SVCPRINTHEAD-PM3	AddOn, Edge Service, Printhead Refresh Service, 203 or 300 DPI, 3-Year Contract
ADD SVCACC-PRN3	AddOn, Edge Service, Accessory Service, Printer, 3 Year

PM65 6-INCH CONFIGURATION MAP

Industrial Printer

VERSION
USER INTERFACE
CONNECTIVITY
I/O OPTION 1
I/O OPTION 2
OPTION 1
MEDIA HANDLING
PRINT OPTION
POWER CORD

PM65								DESCRIPTION	NOTES
A								Standard	2 x USB A Port (USB 2.0 Host), 1 x USB B Port (USB 2.0 Device), 1 x DB9F (RS-232, up to 115.2 KB/s), Real Time Clock (RTC)
	0							Icon User Interface	
	1							Full Touch User Interface	
		0						Ethernet	Ethernet 10/100/1000 Mbps
		1						Ethernet + WLAN North America (NA) + Bluetooth	Available as Kit - Part# PM45-WL-NA Wi-Fi 6 802.11 a/b/g/n/ac/ax + V5.2 Bluetooth Kit (North America)
		2						Ethernet + WLAN Rest Of World (ROW) + Bluetooth	Available as Kit - Part# PM45-WL-ROW Wi-Fi 6 802.11 a/b/g/n/ac/ax + V5.2 Bluetooth Kit (Rest Of World)
			00					None	
			01					Parallel Interface	Available as Kit - Part# PM45-PAR-01 PARALLEL IEEE 1284 INTERFACE PM45/ PM65
			02					Industrial Interface	Available as Kit - Part# PM45-IND-01 UART + INDUSTRIAL INTERFACE PM45/ PM65
			03					Applicator Interface	Available as Kit - Part# PM45-APPL-01 APPLICATOR INTERFACE PM45/ PM65
			EU					UHF RFID Europe (EU) - 869MHz	Available as Kit - Part# 50180233-001 RFID IM11 INTERFACE EU/ ROW,ASSY,PM45/ PM65
			NA					UHF RFID North America (NA) - 915MHz	Available as Kit - Part# 50180747-001 RFID IM11 INTERFACE NA,ASSY,PM45/ PM65
				00				None	
				01				Parallel Interface	Available as Kit - Part# PM45-PAR-01 PARALLEL IEEE 1284 INTERFACE PM45/ PM65
				02				Industrial Interface	Available as Kit - Part# PM45-IND-01 UART + INDUSTRIAL INTERFACE PM45/ PM65
				03				Applicator Interface	Available as Kit - Part# PM45-APPL-01 APPLICATOR INTERFACE PM45/ PM65
				04				WWAN 4G LTE	Available as Kit - Part# 50179990-001 Cellular Modem,Assy,PM45/ PM65
				EU				UHF RFID Europe (EU) - 869MHz	Available as Kit - Part# 50180233-001 RFID IM11 INTERFACE EU/ ROW,ASSY,PM45/ PM65
				NA				UHF RFID North America (NA) - 915MHz	Available as Kit - Part# 50180747-001 RFID IM11 INTERFACE NA,ASSY,PM45/ PM65
					0			None	
					1			Label Taken Sensor (LTS)	Available as Kit - Part# 715-616S-001 Label Taken Sensor (LTS), Spare Kit, PM43/ PM45 / PM65
					2			Rewinder	Available as Kit - Part# PM65-MR-001 PM65 Rewinder,Media Internal Sub-Assembly
					3			Rewinder + Label Taken Sensor (LTS)	Available as Kit - Part# PM65-MR-001 PM65 Rewinder,Media Internal Sub-Assembly + Part# 715-616S-001 Label Taken Sensor (LTS), PM45/PM65
						0		Fixed Hanger	
						1		Rotating Hanger	Available as Kit - Part# PM65-RH KIT, ROTATION HANGER + Part# 203-972-001 - 3 inch Media Core (requires 2 x 203-972-001)
						20		Thermal Transfer (TT) 203 DPI	Available as Kit - Part# PM65-TPH-203 PRINTHEAD ASSY 203 DPI,PM65
						21		Direct Thermal (DT) 203 DPI	Available as Kit - Part# PM65-TPH-203 PRINTHEAD ASSY 203 DPI,PM65
						30		Thermal Transfer (TT) 300 DPI	Available as Kit - Part# PM65-TPH-300 PRINTHEAD ASSY 300 DPI,PM65
						31		Direct Thermal (DT) 300 DPI	Available as Kit - Part# PM65-TPH-300 PRINTHEAD ASSY 300 DPI,PM65
							0	US & EU Power Cord	AC Power Cord C13 Type Connector
							1	US Power Cord	AC Power Cord C13 Type Connector
							2	EU Power Cord	AC Power Cord C13 Type Connector
							6	India & China Power Cord	AC Power Cord C13 Type Connector



HONEYWELL EDGE SERVICES

PM45 / PM45C/ PM65 – Repair Services

Honeywell Edge Services give you the confidence of having leading-class technologies combined with service and support plans that are designed to keep you operational for longer.

Gold Repair Services – 3 Year

The most flexible contract in the industry. The Edge Services Gold Support contract allows you to select the right coverage for your organization, including 5-Day Depot Repairs and:

Service Overview

- Repair or replacement of damaged components, wear and tear, and accidental damage.
- Flexibility to add any Add-On Service

PART NUMBER	DESCRIPTION
SVCPM45-SG3N	PM45/ PM45C, Edge Service, GOLD Maintenance Contract, 5 Day Turnaround, 3 Year , New Contract
SVCPM65-SG3N	PM65, Edge Service, GOLD Maintenance Contract, 5 Day Turnaround, 3 Year , New Contract

Add-On Accessory Replacement Service

Provides replacement cables, interface cards or platen rollers should they be damaged or stop working.

ADD SVCACC-PRN3	AddOn, Edge Service, Accessory Service , Printer, 3 Year
------------------------	---

Add-On Printhead Refresh Service

Provides replacement 203 or 300 DPI printhead at 18 months after purchase.

ADD SVCPRINTHEAD-PM3	AddOn, Edge Service, Printhead Refresh Service, 203 or 300 dpi, 3 Year , 2 replacement printheads
-----------------------------	--

Add-On Device Replacement Service

Replacement devices should a device be damaged beyond repair.

ADD SVCREPLACE-PRN3	AddOn, Edge Service, Device Replacement, Printer, 3 Year
----------------------------	---

Add-On Cutter Replacement Service

Provides replacement cutters should they be damaged or stop working.

ADD SVCCUTTER1-PRN3	AddOn, Edge Service, Cutter Service for Printers, 3 Year
----------------------------	---

Add-On Spare Management Service

Manages every aspect of your spare pool.

ADD SVCSPAREMGMT-PRN3	AddOn, Edge Service, Advanced Exchange, Printer, 3 Year . Customer owned spare pool, Minimum Purchase required, contact your local Honeywell Service Representative for more information.
------------------------------	--

Add-On 2-Day Turnaround Depot Upgrade

Upgrade your Gold Maintenance Contract from 5-Day to 2-Day turnaround at the repair depot.

ADD SVC2DAYDEPOT-PRN3	AddOn, Edge Service, 2-Day Depot Upgrade, 3-Year Agreement, Requires purchase of a 3 Year Gold Maintenance Contract.
------------------------------	---

Platinum Repair Services – 3 Year

The Edge Services Platinum Support contract is the only total support contract in the industry today offering 2-Day Depot Repairs or Spare Pool Management with 3-year contract, that includes:

Service Overview

- Repair or replacement of damaged components
- SVCREPLACE-PRN3 - Replacement devices should a device be damaged beyond repair
- SVCACC-PRN3 - Accessory replacement service
- SVCPRINTHEAD-PM3 - Provides 2 x replacement 203 or 300 DPI printheads.
- SVCSPAREMGMT-PRN3 - Spare pool management (optional, minimum quantity required)
- SVCCUTTER1-PRN3 - Provides replacement cutters should they be damaged or stop working.
- Telephone-based technical support

PART NUMBER	DESCRIPTION
SVCPM45-SP3N	PM45/PM45C, Edge Service, PLATINUM, 2 Day Turnaround, 3 Year, New Contract
SVCPM65-SP3N	PM65, Edge Service, PLATINUM, 2 Day Turnaround, 3 Year, New Contract



HONEYWELL EDGE SERVICES

PM45 / PM45C/ PM65 – Repair Services

Honeywell Edge Services give you the confidence of having leading-class technologies combined with service and support plans that are designed to keep you operational for longer.

Gold Repair Services – 5 Year

The most flexible contract in the industry. The Edge Services Gold Support contract allows you to select the right coverage for your organization, including 5-Day Depot Repairs and:

Service Overview

- Repair or replacement of damaged components, wear and tear, and accidental damage.
- Flexibility to add any Add-On Service

PART NUMBER	DESCRIPTION
SVCPM45-SG5N	PM45/ PM45C, Edge Service, GOLD Maintenance Contract, 5 Day Turnaround, 5 Year , New Contract
SVCPM65-SG5N	PM65, Edge Service, GOLD Maintenance Contract, 5 Day Turnaround, 5 Year , New Contract

Add-On Accessory Replacement Service

Provides replacement cables, interface cards or platen rollers should they be damaged or stop working.

ADD SVCACC-PRN5	AddOn, Edge Service, Accessory Service , Printer, 5 Year
------------------------	---

Add-On Printhead Refresh Service

Provides replacement 203 or 300 DPI printhead at 18 and 36 months after purchase.

ADD SVCPRINTHEAD-PM5	AddOn, Edge Service, Printhead Refresh Service, 203 or 300 dpi, 5 Year , 3 replacement printheads
-----------------------------	--

Add-On Device Replacement Service

Replacement devices should a device be damaged beyond repair.

ADD SVCREPLACE-PRN5	AddOn, Edge Service, Device Replacement, Printer, 5 Year
----------------------------	---

Add-On Cutter Replacement Service

Provides replacement cutters should they be damaged or stop working.

ADD SVCCUTTER1-PRN5	AddOn, Edge Service, Cutter Service for Printers, 5 Year
----------------------------	---

Add-On Spare Management Service

Manages every aspect of your spare pool.

ADD SVCSPAREMGMT-PRN5	AddOn, Edge Service, Advanced Exchange, Printer, 5 Year . Customer owned spare pool, Minimum Purchase required, contact your local Honeywell Service Representative for more information.
------------------------------	--

Add-On 2-Day Turnaround Depot Upgrade

Upgrade your Gold Maintenance Contract from 5-Day to 2-Day turnaround at the repair depot.

ADD SVC2DAYDEPOT-PRN5	AddOn, Edge Service, 2-Day Depot Upgrade, 3-Year Agreement, Requires purchase of a 5 Year Gold Maintenance Contract.
------------------------------	---

Platinum Repair Services – 5 Year

The Edge Services Platinum Support contract is the only total support contract in the industry today offering 2-Day Depot Repairs or Spare Pool Management with 5-year contract, that includes:

Service Overview

- Repair or replacement of damaged components
- SVCREPLACE-PRN5 - Replacement devices should a device be damaged beyond repair
- SVCACC-PRN5 - Accessory replacement service
- SVCPRINTHEAD-PM5 - Provides 3 x replacement 203 or 300 DPI printheads.
- SVCSPAREMGMT-PRN5 - Spare pool management (optional, minimum quantity required)
- SVCCUTTER1-PRN5 - Provides replacement cutters should they be damaged or stop working.
- Telephone-based technical support


PART NUMBER	DESCRIPTION
SVCPM45-SP5N	PM45/PM45C, Edge Service, PLATINUM, 2 Day Turnaround, 5 Year, New Contract
SVCPM65-SP5N	PM65, Edge Service, PLATINUM, 2 Day Turnaround, 5 Year, New Contract




HONEYWELL REPAIR SERVICES

PM45 / PM45C/ PM65 - Repair Services Coverage


For Best-In-Class Service



PM65



PM45



PM45C

Warranty Cover Against Product Defect

BASIC Service






Gold Coverage:

- Accidental Damage
- Wear & Tear

Includes Replacement of:

- Platen Roller


Flexible GOLD Add-Ons ordered separately

- SVCACC-PRN3  Accessories
- SVCPRINTHEAD-PM3  Printhead Replacement
- SVCREPLACE-PRN3  Device Replacement
- SVCCUTTER1-PRN3  Cutter Replacement
- SVCSPAREMGMT-PRN3  Advanced Exchange


GOLD Service

Platinum Coverage


- Printhead Replacement
- Coverage for Cables and Interface Cards
- Cutter Replacement
- Accidental Damage
- Device Replacement
- Wear & Tear



Printhead
(3 Year – 2 replacement printhead)
(5 Year – 3 replacement printheads)



Cutter



I/O Cards

PLATINUM Service

MODEL	COVERAGE	PART NUMBER	DESCRIPTION
PM45 / PM45C	BASIC	SVCPM45-EXW3	PM45/PM45C, BASIC, 10-15 Day Turnaround, 3 Years (1 Year Factory Warranty + 2 Year Extended)
PM65	BASIC	SVCPM65-EXW3	PM65, BASIC, 10-15 Day Turnaround, 3 Years (1 Year Factory Warranty + 2 Year Extended)
PM45 / PM45C	GOLD	SVCPM45-SG3N	PM45/PM45C, Edge Service, GOLD Maintenance Contract, 5 Day Turnaround, 3 Year, New Contract
PM65	GOLD	SVCPM65-SG3N	PM65, Edge Service, GOLD Maintenance Contract, 5 Day Turnaround, 3 Year, New Contract
	ADD	SVCACC-PRN3	AddOn, Edge Service, Accessory Service , Printer, 3 Year.
	ADD	SVCPRINTHEAD-PM3	AddOn, Edge Service, 203 or 300 DPI Printhead Refresh Service, 3-Year Contract, 2 replacement printheads
	ADD	SVCREPLACE-PRN3	AddOn, Edge Service, Device Replacement, Printer, 3 Year
	ADD	SVCCUTTER1-PRN3	AddOn, Edge Service, Cutter Service for Printer, 3-Year
	ADD	SVCSPAREMGMT-PRN3	AddOn, Edge Service, Advanced Exchange, Printer, 3 Year. Customer owned spare pool, Minimum Purchase required.
PM45 / PM45C	PLATINUM	SVCPM45-SP3N	PM45/PM45C, Edge Service, PLATINUM, 2 Day Turnaround, 3 Year, New Contract
PM65	PLATINUM	SVCPM65-SP3N	PM65, Edge Service, PLATINUM, 2 Day Turnaround, 3 Year, New Contract

ACCESSORIES

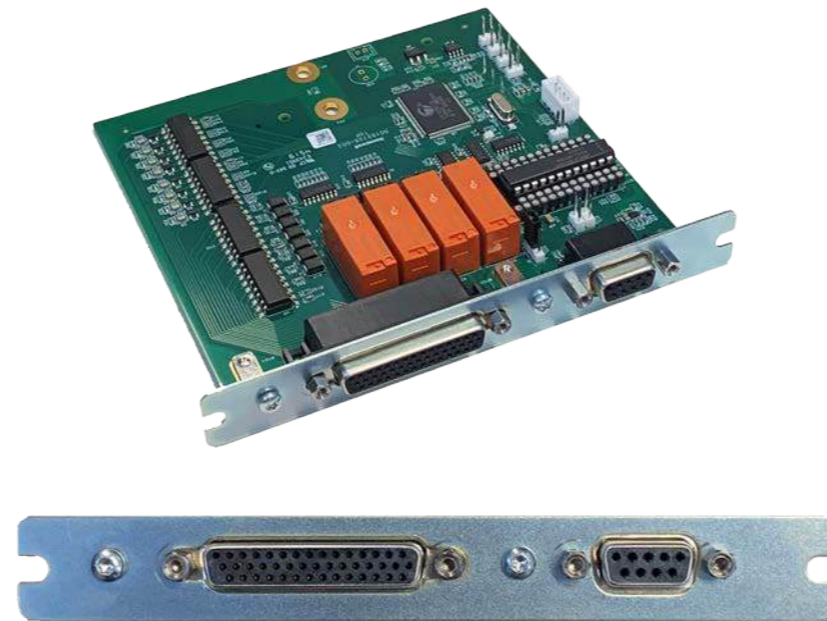
PM45 / PM45C/ PM65 - I/O Cards

Expand your I/O with additional interface cards.

Warning: The I/O Cards must only be installed by an authorized service technician, as you need to open the printer and physically install the cards in the printer.



PM45/ PM65 has 2 x I/O Expansion Slots



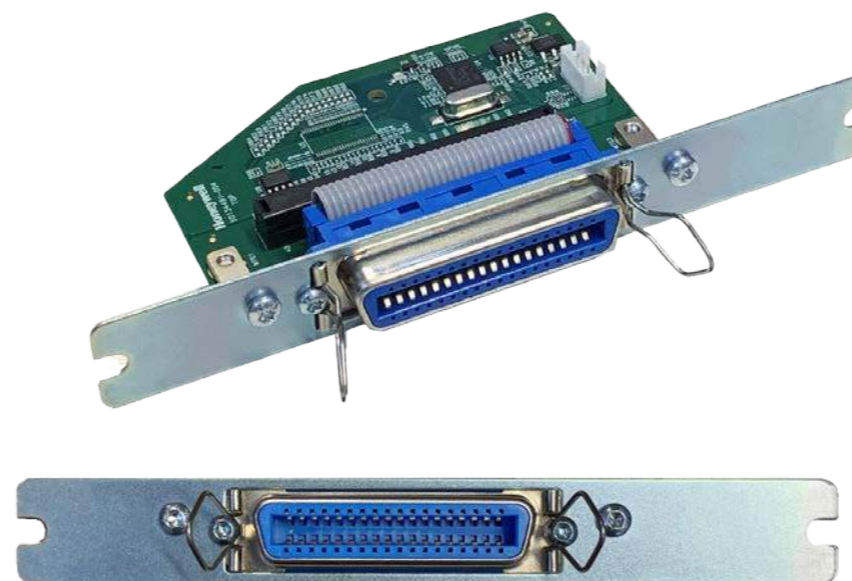
PART NUMBER	DESCRIPTION
PM45-IND-01	UART + INDUSTRIAL INTERFACE PM45/ PM65



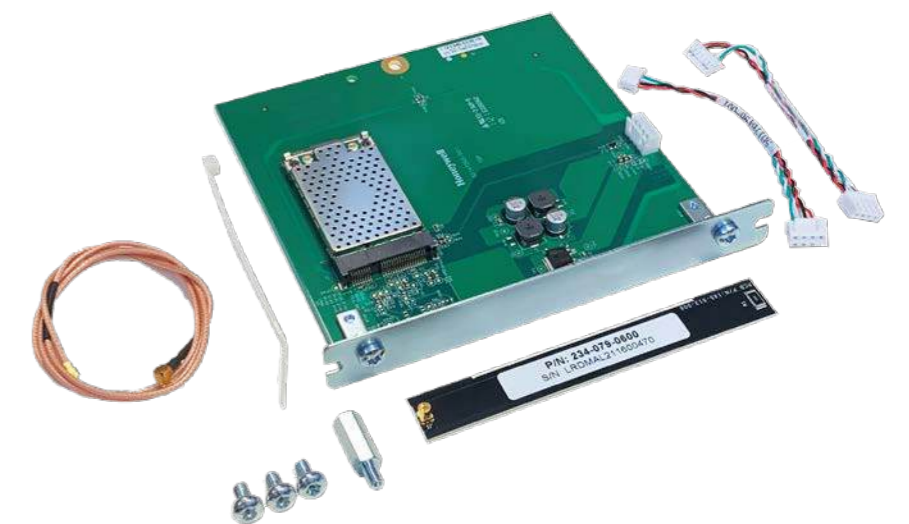
PART NUMBER	DESCRIPTION
PM45-APPL-01	APPLICATOR INTERFACE PM45/ PM65



PM45C has 1 x I/O Expansion Slot



PART NUMBER	DESCRIPTION
PM45-PAR-01	KIT, PARALLEL PORT, PM45/ PM65
	Use with Part# 1-974022-018 Parallel Cable



PART NUMBER	REGION	DESCRIPTION
50180747-001	North America	RFID IM11 INTERFACE NA,ASSY,PM45/ PM65
50180233-001	EU / ROW	RFID IM11 INTERFACE EU/ ROW,ASSY,PM45/ PM65

ACCESSORIES

PM45 / PM45C/ PM65 - Wi-Fi and Bluetooth Card

The Wi-Fi and Bluetooth card can be easily added to any PM45, PM45C or PM65 printer.



PM45/ PM65 Rear I/O View

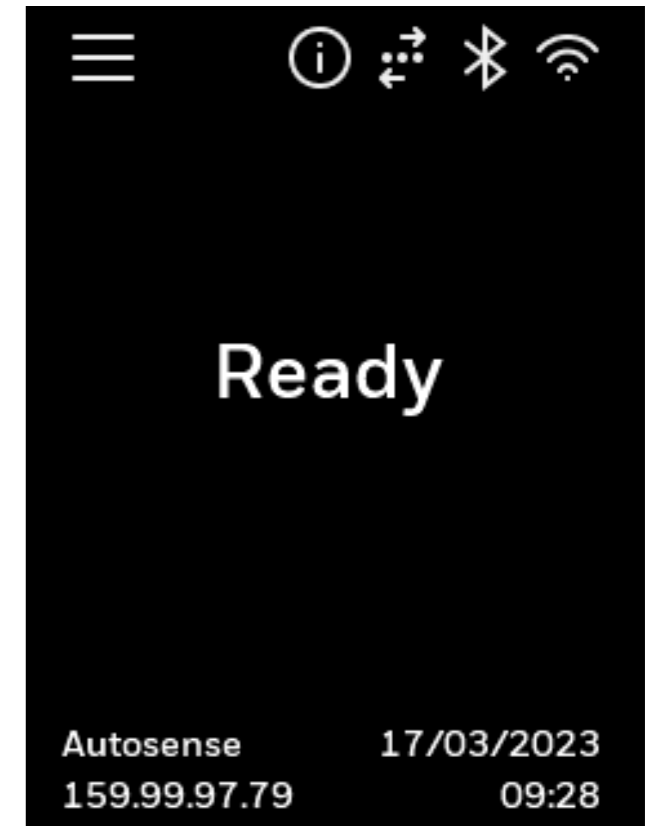


PM45 Wi-Fi/ BT Card

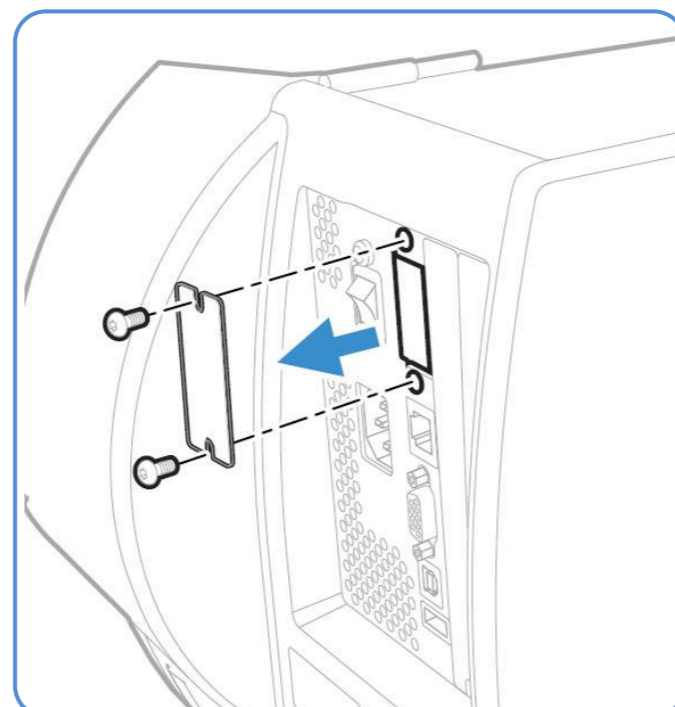


PM65 Wi-Fi/ BT Card

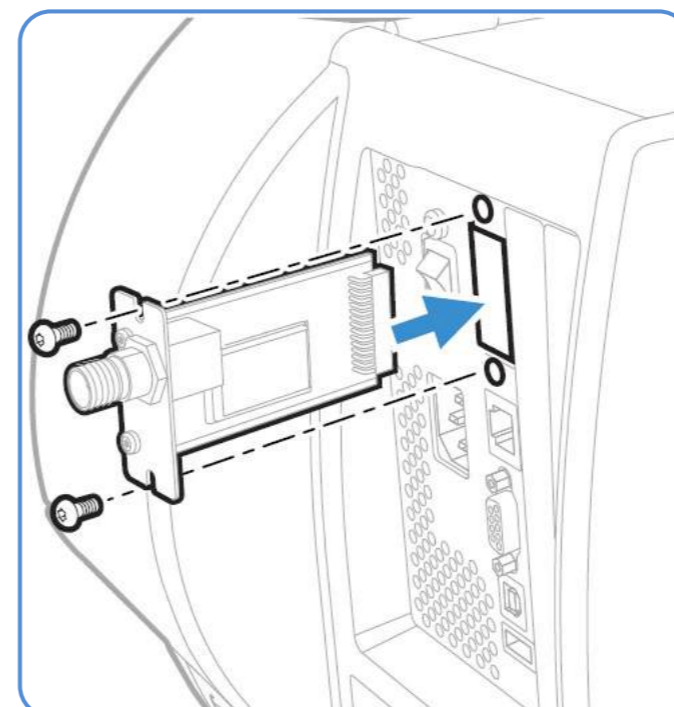
PART NUMBER	REGION	MODEL	DESCRIPTION
50178327-001	North America	PM45/PM45C	Wi-Fi 5 802.11 a/b/g/n/ac + V5.0 Bluetooth Kit (North America)
50174832-001	EU / Rest Of World	PM45/PM45C	Wi-Fi 5 802.11 a/b/g/n/ac + V5.0 Bluetooth Kit (Rest Of World)
PM65-WL-NA	North America	PM65	Wi-Fi 6 802.11 a/b/g/n/ac/ax + V5.2 Bluetooth Kit (North America)
PM65-WL-ROW	EU / Rest Of World	PM65	Wi-Fi 6 802.11 a/b/g/n/ac/ax + V5.2 Bluetooth Kit (Rest Of World)



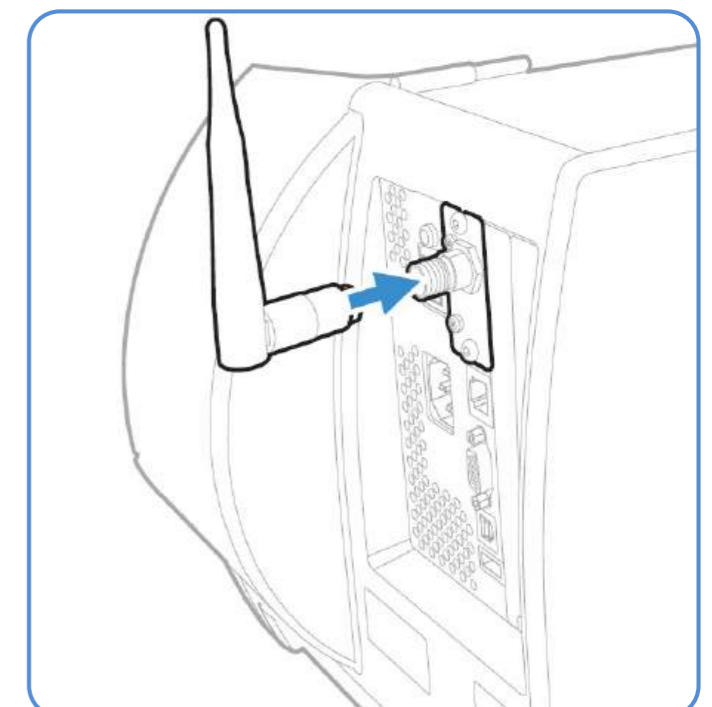
PM45C Rear I/O View



Remove cover plate



Insert Wi-Fi/ Bluetooth board



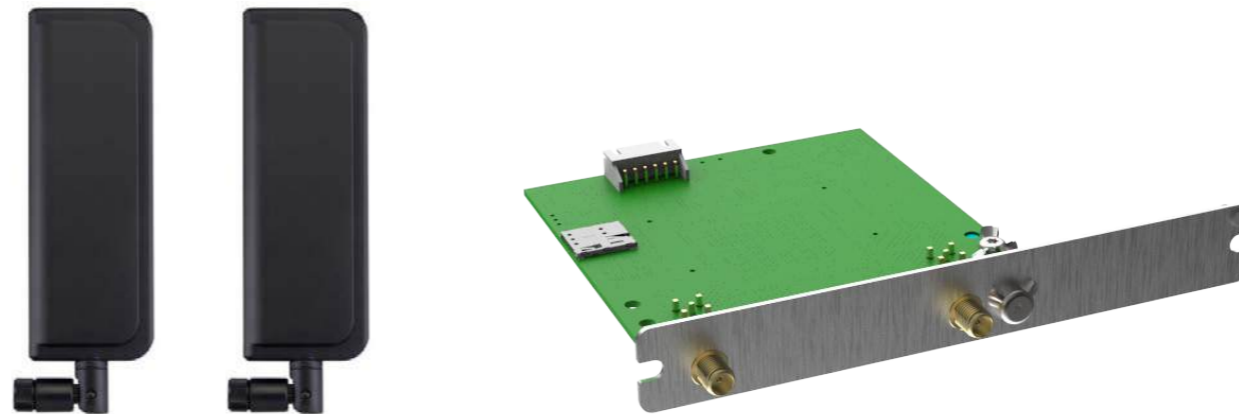
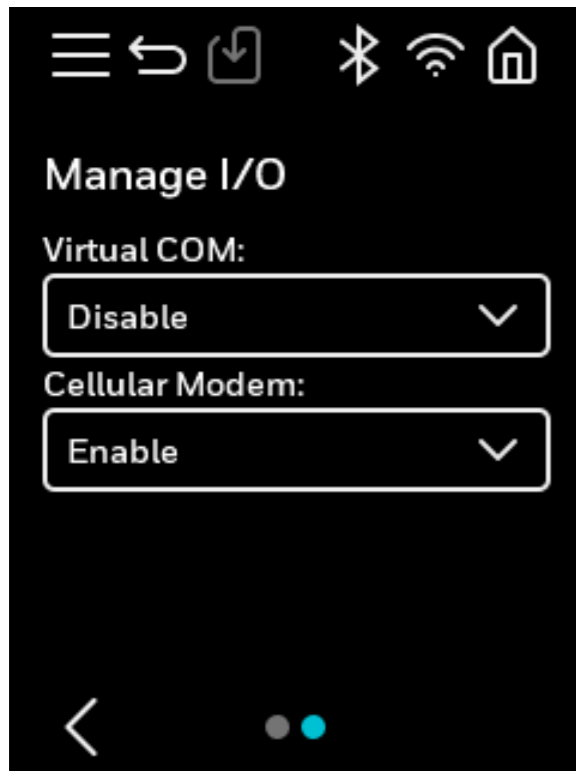
Connect antenna

ACCESSORIES

PM45/ PM45C/ PM65 – WWAN 4G LTE – Cellular Modem

Expand your I/O with additional interface cards. Note, the PM45 can only install this Modem Card on I/O slot 2, it is not compatible with slot 1.

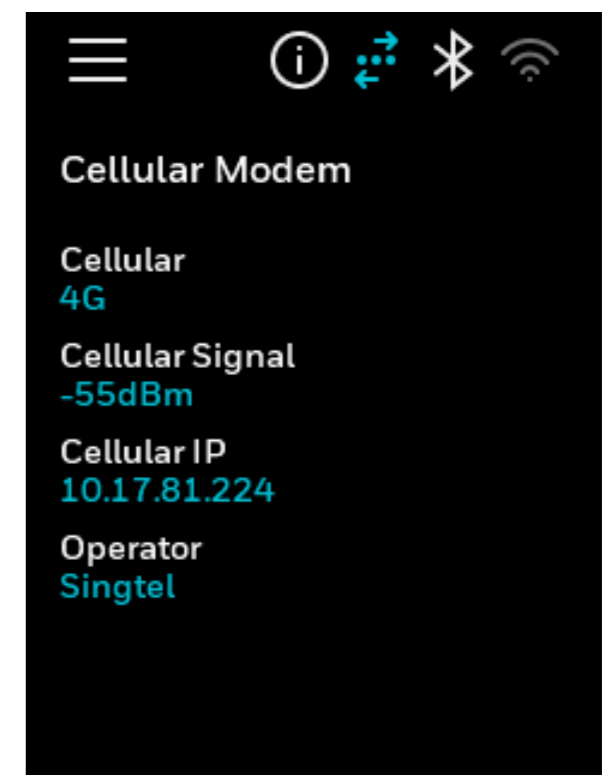
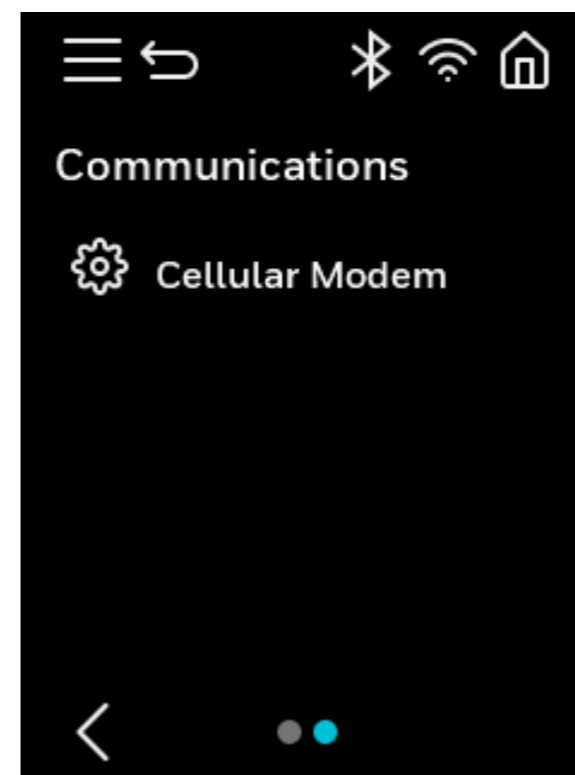
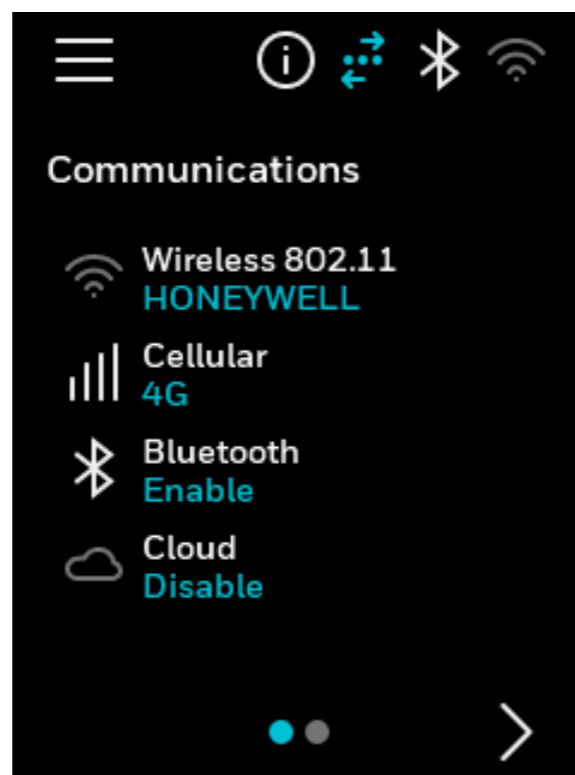
Warning: The I/O Cards must only be installed by an authorized service technician, as you need to open the printer and physically install the cards in the printer.



PART NUMBER	DESCRIPTION
50179990-001	Cellular Modem,Assy,PM45/ PM65 (includes antennas)



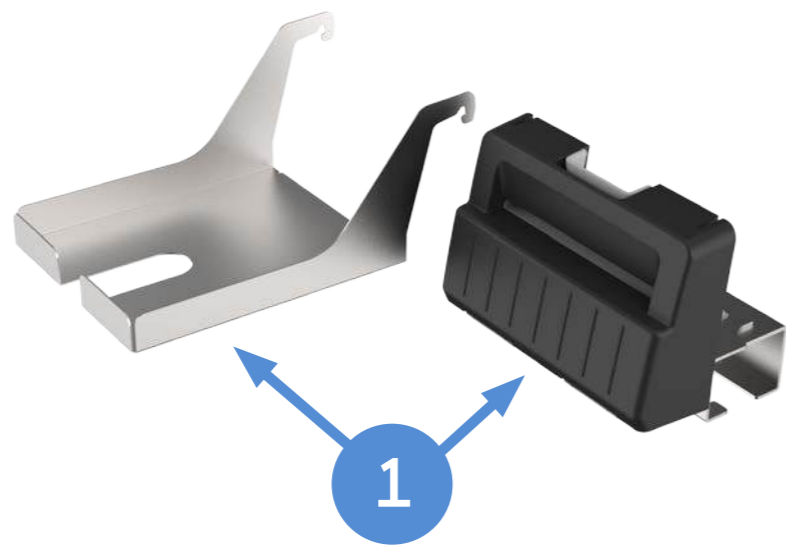
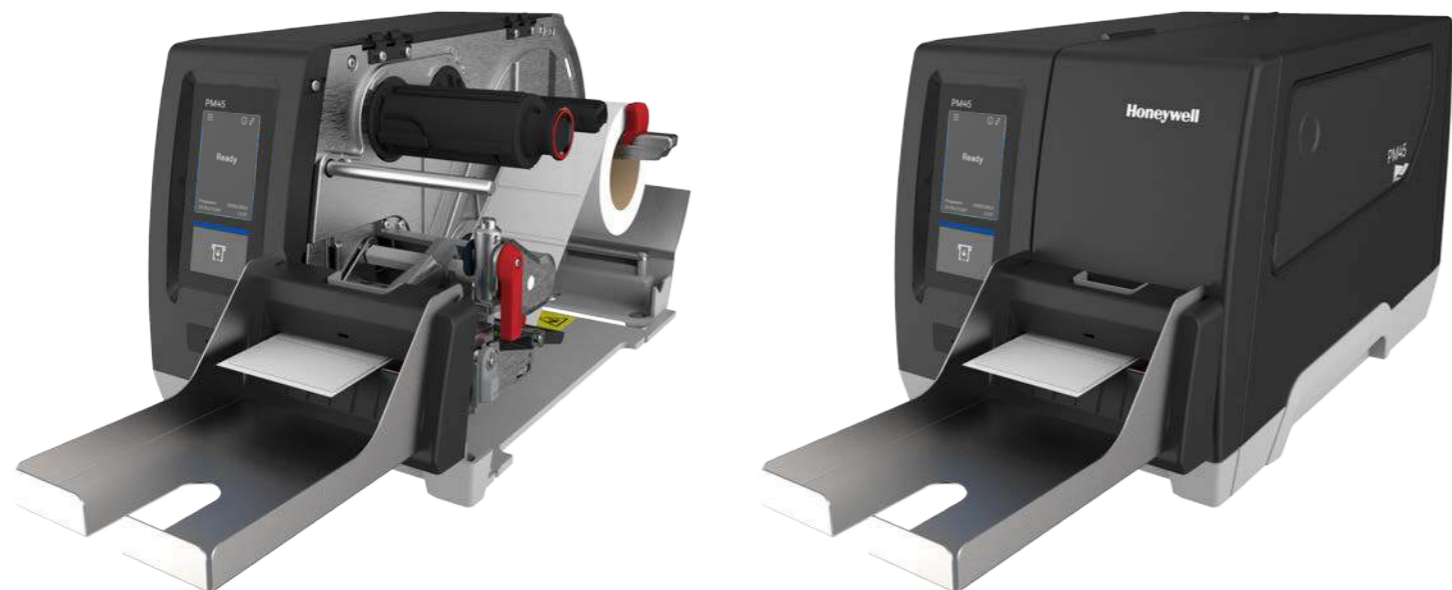
PM45 WWAN Rear I/O View



ACCESSORIES

PM45 4-inch Cutter

In cut-off printing, each label is automatically cut from the media roll immediately after the label is printed. You can print on non-adhesive, continuous label stock, and also self-adhesive labels with a liner.



PART NUMBER **DESCRIPTION**

1 50180206-001 Cutter Kit for PM45 (includes cutter tray)

PM45C 4-inch Cutter

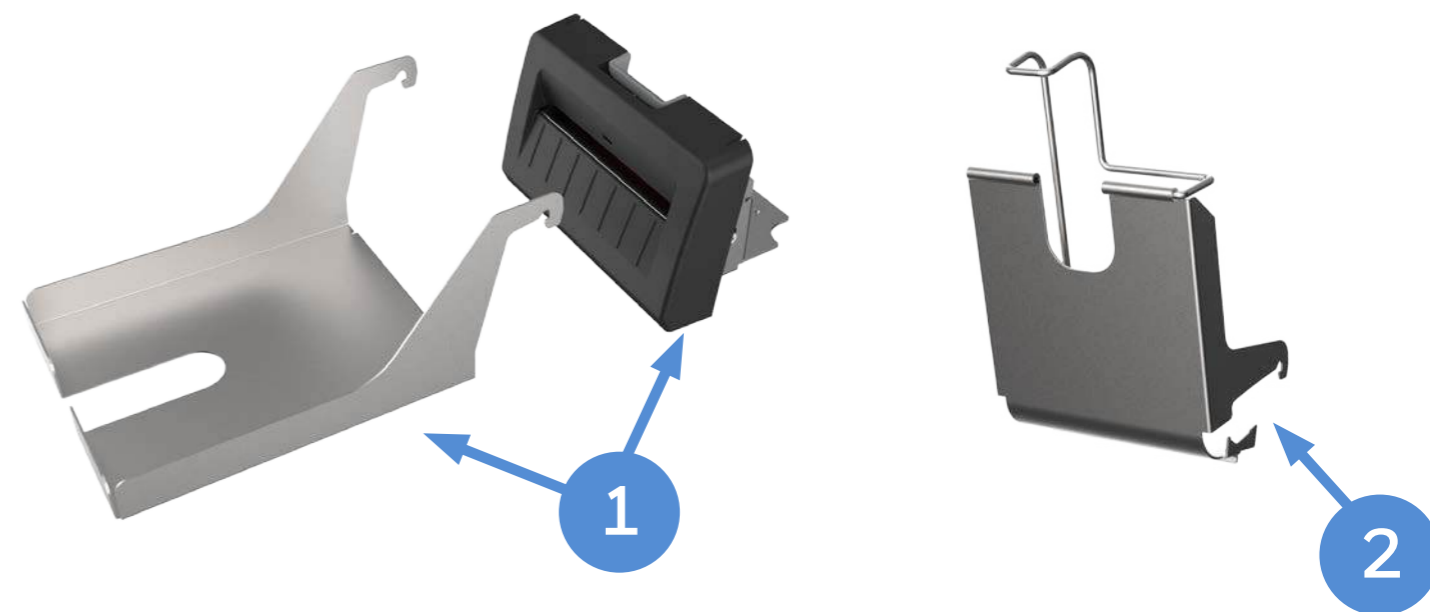
In cut-off printing, each label is automatically cut from the media roll immediately after the label is printed. You can print on non-adhesive, continuous label stock, and also self-adhesive labels with a liner. Optionally, a vertical tray can be added to the cutter, typically used in the airline industry.



Horizontal Tray installed



Vertical Tray installed



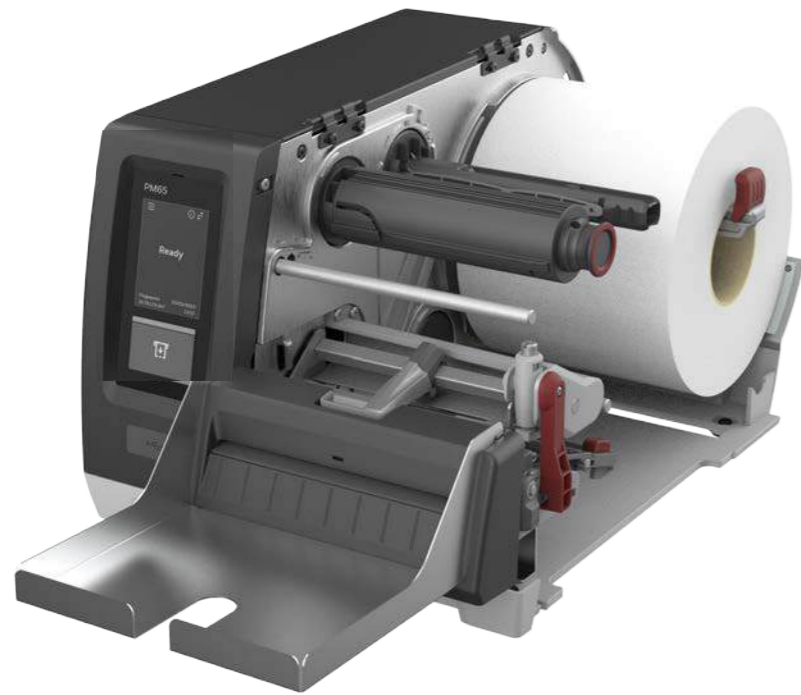
PART NUMBER **DESCRIPTION**

1 50180201-001 Cutter Kit for PM45C (includes cutter tray)
2 203-993-001 Cutter Vertical Tray, Accessories Kits

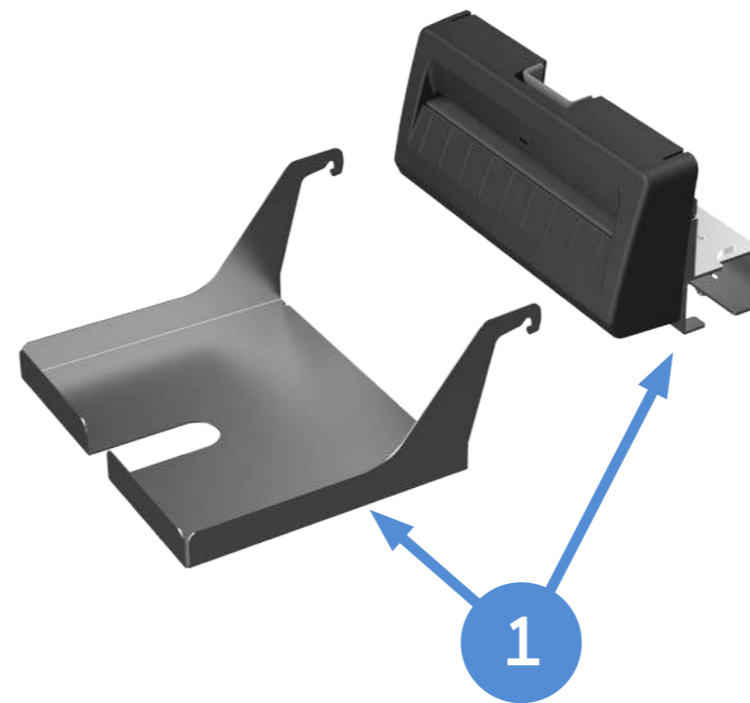
ACCESSORIES

PM65 6-inch Cutter

In cut-off printing, each label is automatically cut from the media roll immediately after the label is printed. You can print on non-adhesive, continuous label stock, and also self-adhesive labels with a liner.



PM65 with Cutter (No Side Door)



PM65 with Cutter (Side Door)

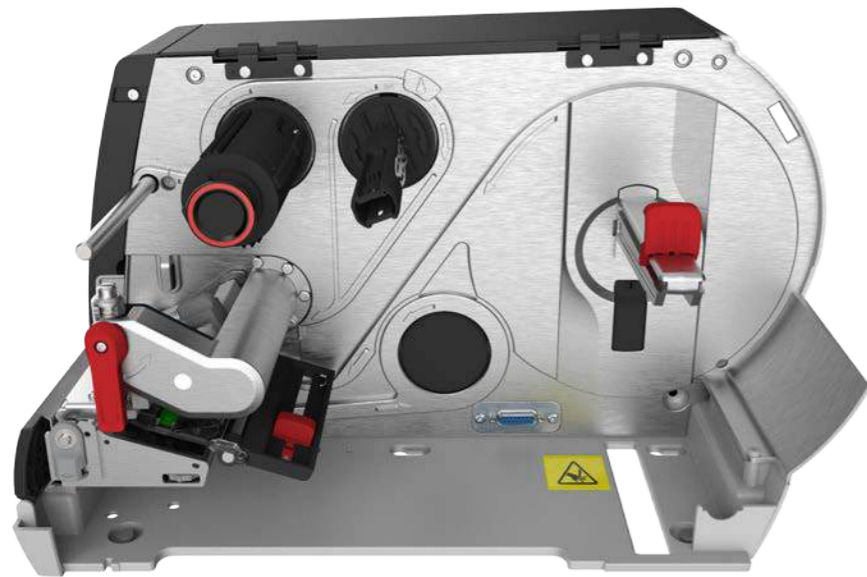
	PART NUMBER	DESCRIPTION
1	PM65-CUTTER	Cutter Kit for PM65 (includes cutter tray)

ACCESSORIES

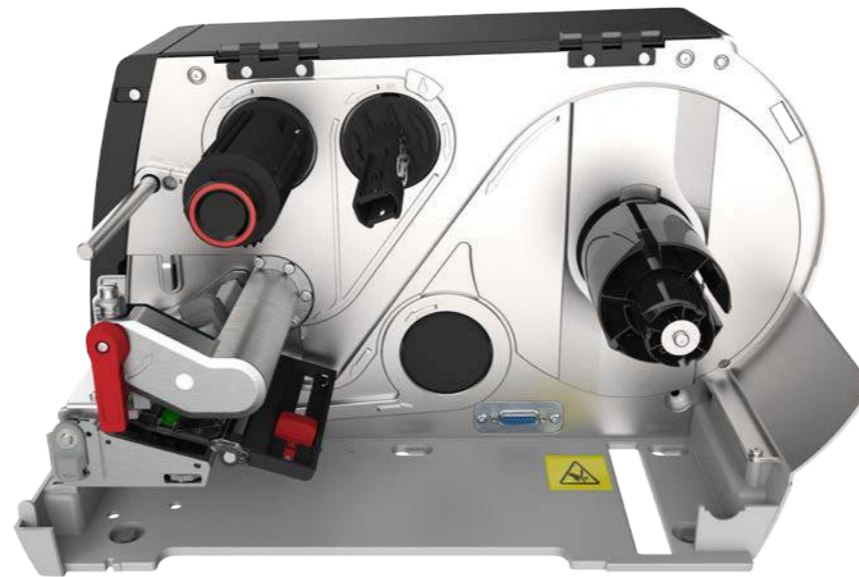
PM45/ PM45C 4-inch Rotation Hanger

The rotation hanger enables consistent feeding of the media stock and also includes a low paper detection feature, recommended when large rolls of media are used or when printers are mounted on their side. The 4-inch kit is compatible with both PM45 and PM45C printers.

Warning: The rotation hanger must only be installed by an authorized service technician, as you need to open the printer and physically install the hanger and media sensor in the printer.



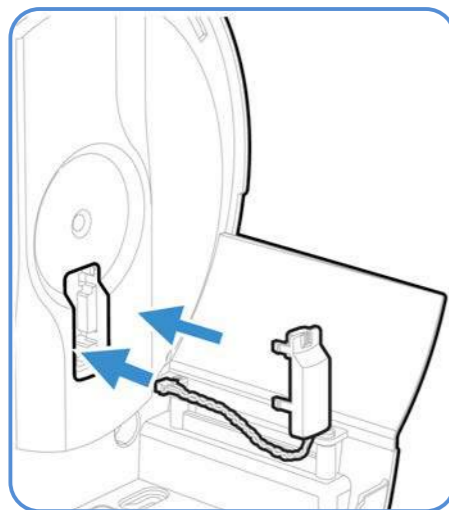
Standard Media Hanger



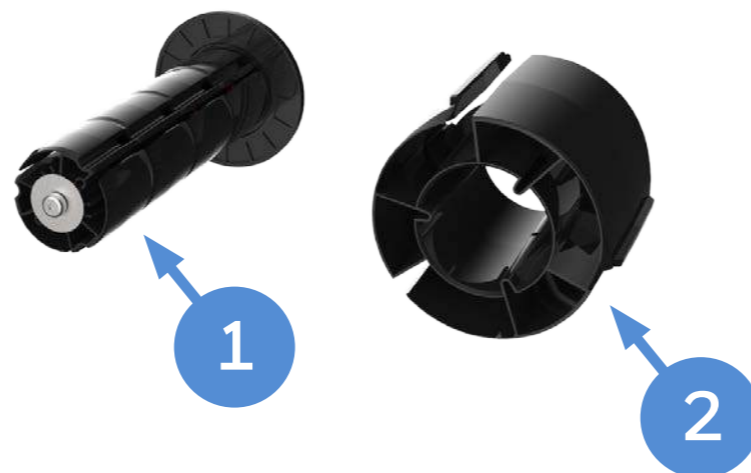
Rotation Hanger



Rotation Hanger with Media



Media Sensor



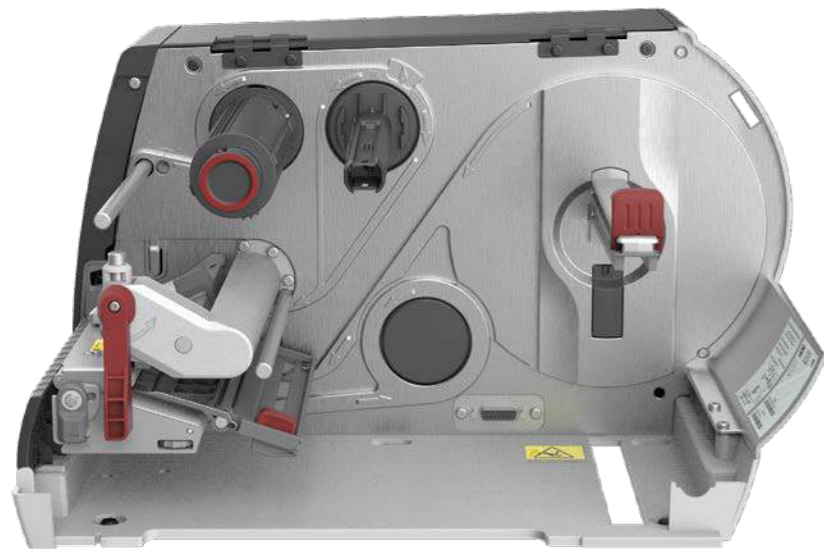
	PART NUMBER	DESCRIPTION
1	203-977-001	KIT, ROTATION HANGER (includes media sensor)
2	203-972-001	KIT, CORE 3 INCH (3 inch adapter (3' Dolly))

ACCESSORIES

PM65 6-inch Rotation Hanger

The rotation hanger enables consistent feeding of the media stock and also includes a low paper detection feature, recommended when large rolls of media are used or when printers are mounted on their side. The 6-inch kit is compatible with PM65 printers.

Warning: The rotation hanger must only be installed by an authorized service technician, as you need to open the printer and physically install the hanger and media sensor in the printer.



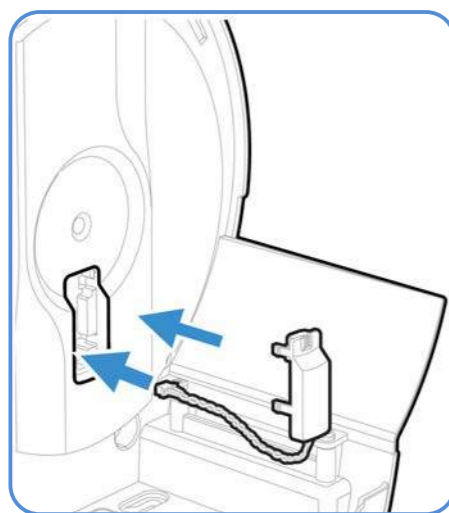
Standard Media Hanger



Rotation Hanger



Rotation Hanger with Media



Media Sensor



PART NUMBER	DESCRIPTION
1 PM65-RH	KIT, ROTATION HANGER (includes media sensor)
2 203-972-001	KIT, CORE 3 INCH (3 inch adapter (3' Dolly))

NOTE: PM65 requires 2 x 203-972-001 to be purchased to span the 6-inch hanger width

ACCESSORIES

PM45C Doors

The PM45C doors are interchangeable, any configuration of PM45C can be converted to either Short, Long or Mega Dome Door.



Short Door



Long Door



Mega Dome Door



1



2



3

PART NUMBER

DESCRIPTION

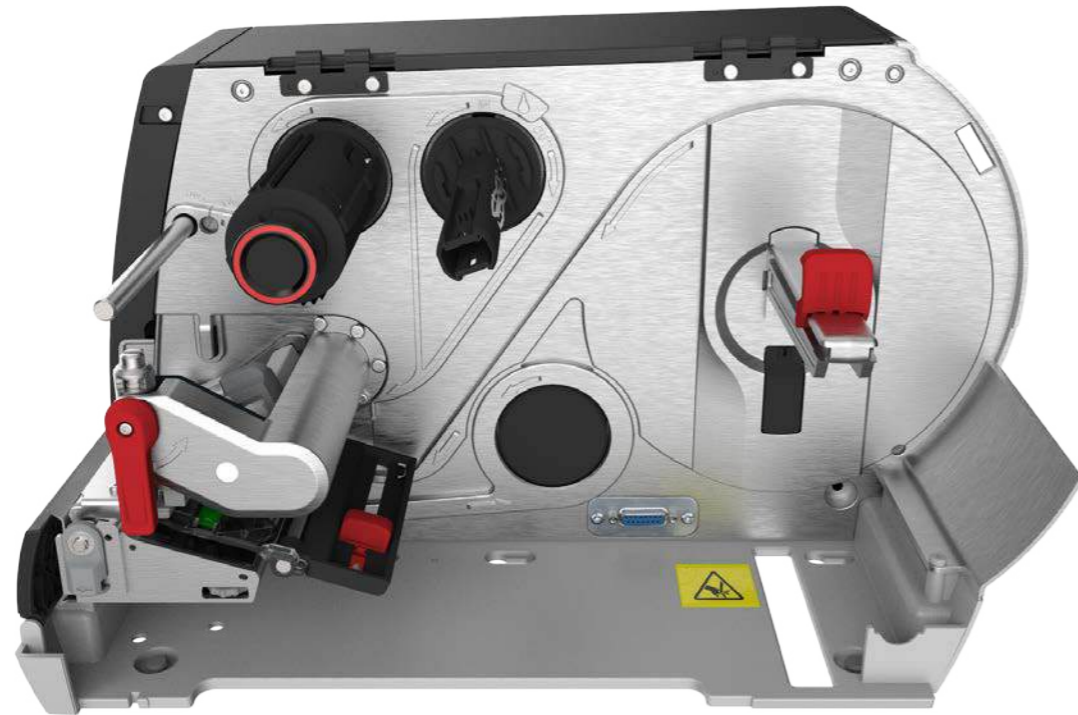
1	PM45C-SD-KIT	Door, Short Assy, PM45C
2	PM45C-LD-KIT	Door, Long Assy, PM45C
3	PM45C-MD-KIT	Door, Mega Dome Assy, PM45C

ACCESSORIES

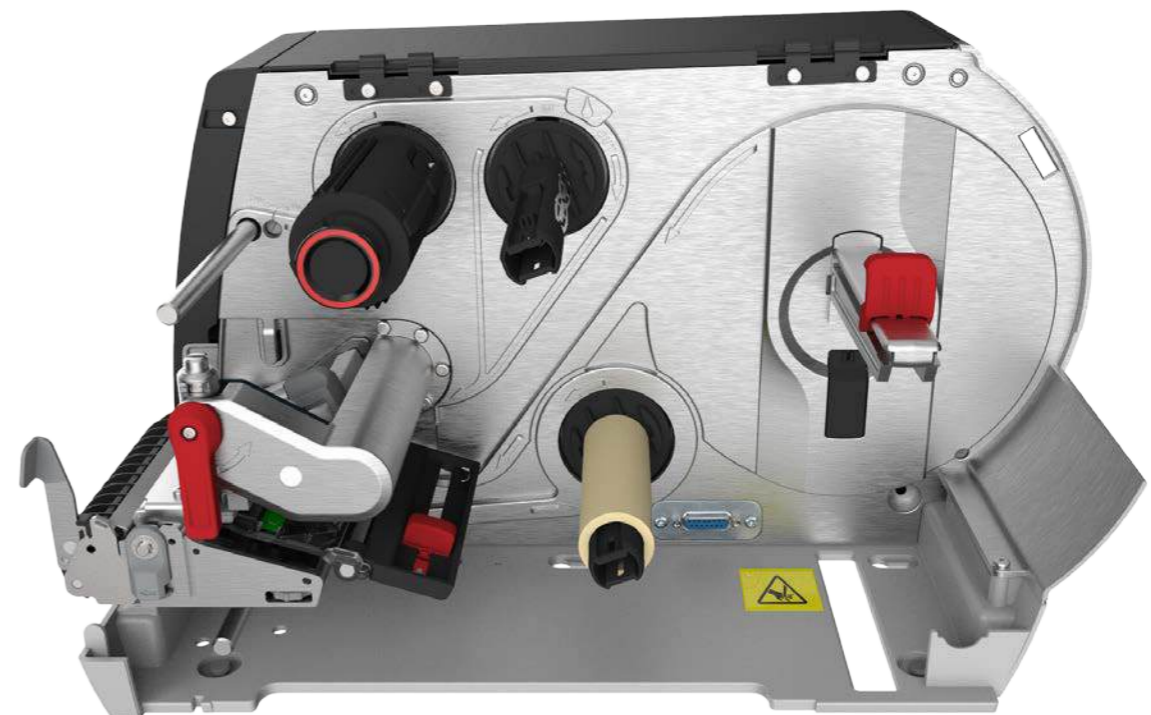
Service Upgrade Kit - PM45/ PM45C 4-inch Internal Rewinder + Label Taken Sensor

This kit is for upgrading the PM45 or PM45C with the 4-inch Internal Rewinder and Label Taken Sensor (LTS) option.

Warning: The Internal Rewinder and Label Taken Sensor must only be installed by an authorized service technician, as you need to open the printer and physically install the rewriter and sensor in the printer.



PM45Axxxxxx0xxxx PM45 Tear Off



PM45Axxxxxx3xxxx PM45 with Internal Rewinder + LTS



Label Dispenser

1



2



Label Taken Sensor

3

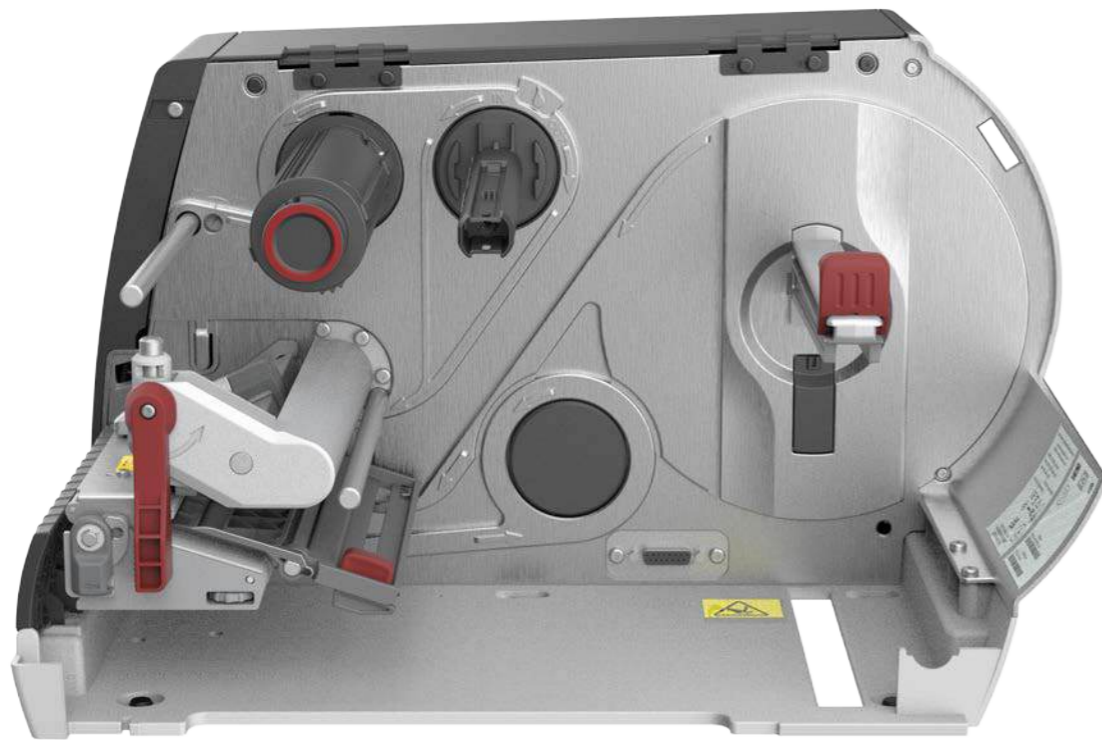
	PART NUMBER	DESCRIPTION
1	50180196-001	Label Dispenser, PM45
2	50178326-001	PM45 Rewinder,Media Internal Sub-Assembly
3	715-616S-001	Label Taken Sensor (LTS), Spare Kit, PM43/ PM45/ PM65

ACCESSORIES

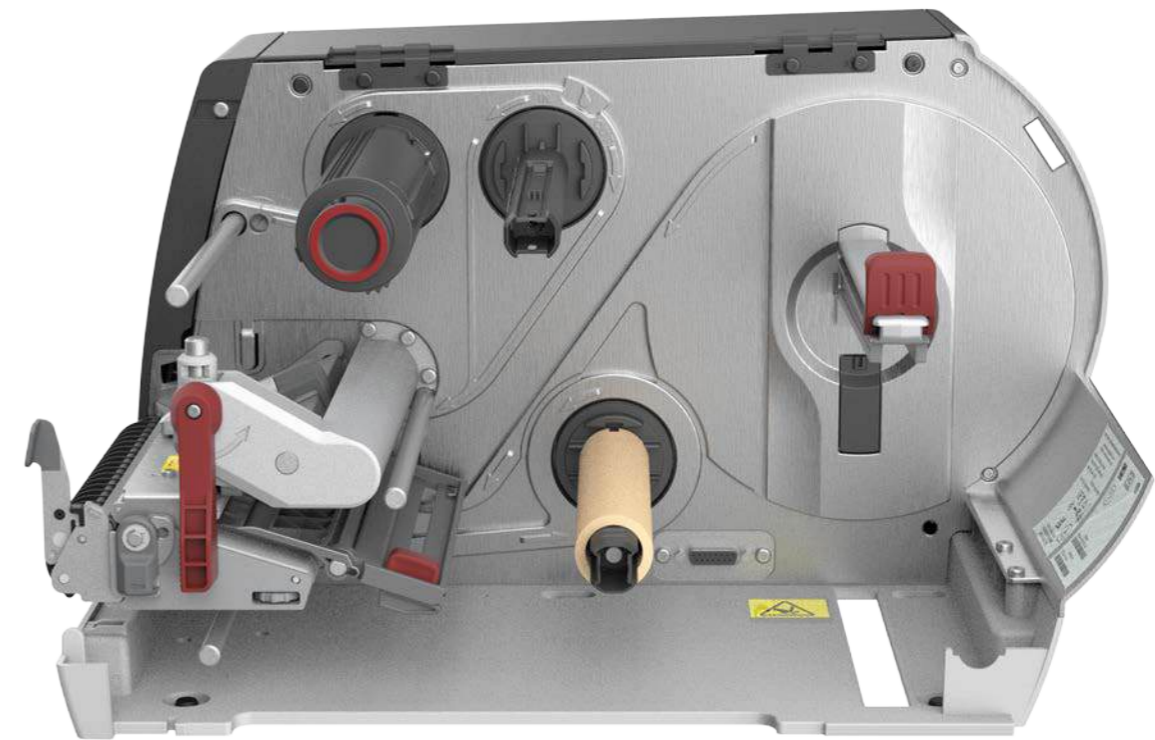
Service Upgrade Kit - PM65 6-inch Internal Rewinder + Label Taken Sensor

This kit is for upgrading the PM65 with the 6-inch Internal Rewinder and Label Taken Sensor (LTS) option.

Warning: The Internal Rewinder and Label Taken Sensor must only be installed by an authorized service technician, as you need to open the printer and physically install the rewriter and sensor in the printer.



PM65Axxxxxx0xxxx PM65 Tear Off

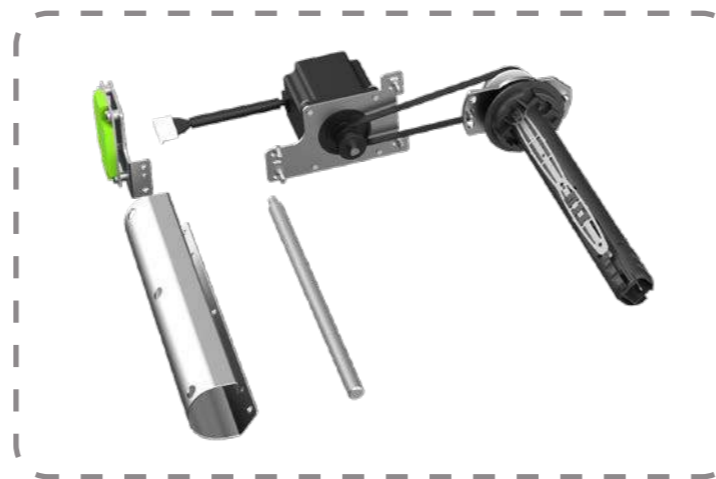


PM65Axxxxxx3xxxx

PM65 with Internal Rewinder + LTS



Label Dispenser



Label Taken Sensor

	PART NUMBER	DESCRIPTION
1	PM65-LD	Label Dispenser, PM65
2	PM65-MR-001	PM65 Rewinder,Media Internal Sub-Assembly
3	715-616S-001	Label Taken Sensor (LTS), Spare Kit, PM43/ PM45/ PM65

ACCESSORIES

PM45 Full Batch Rewinder

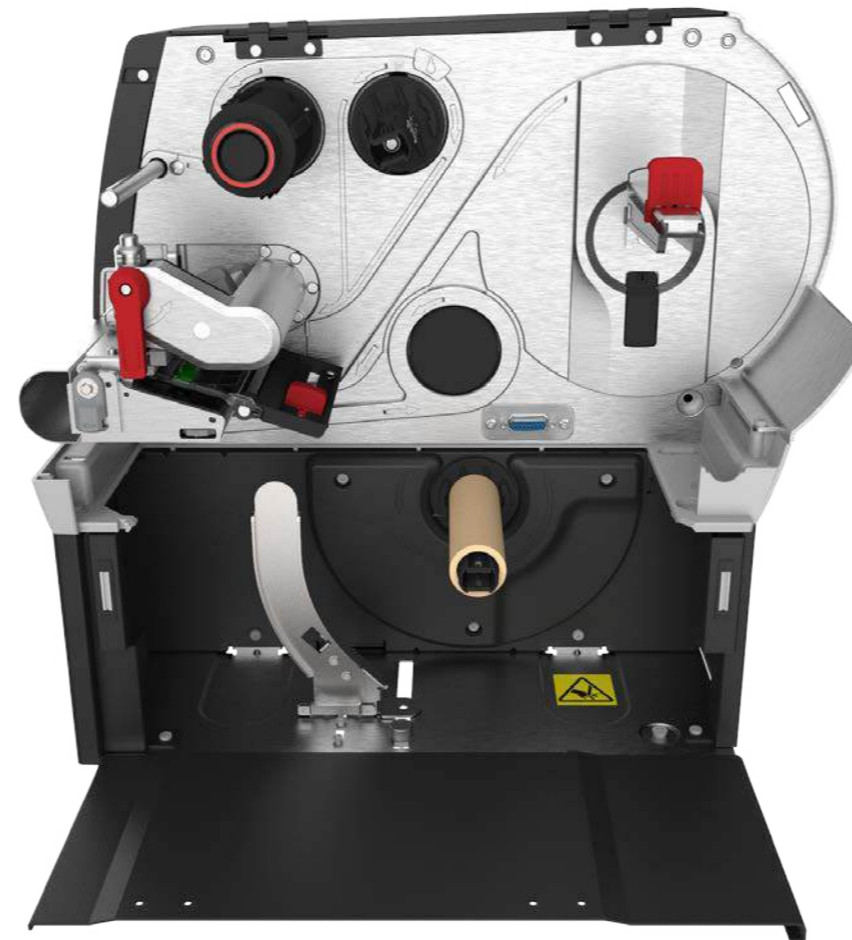
The Full Batch Rewinder is used to pre-print a whole roll of labels and rewind them.

Warning: The Full Batch Rewinder must only be installed by an authorized service technician, as you need to open the printer and physically install the rewinder.

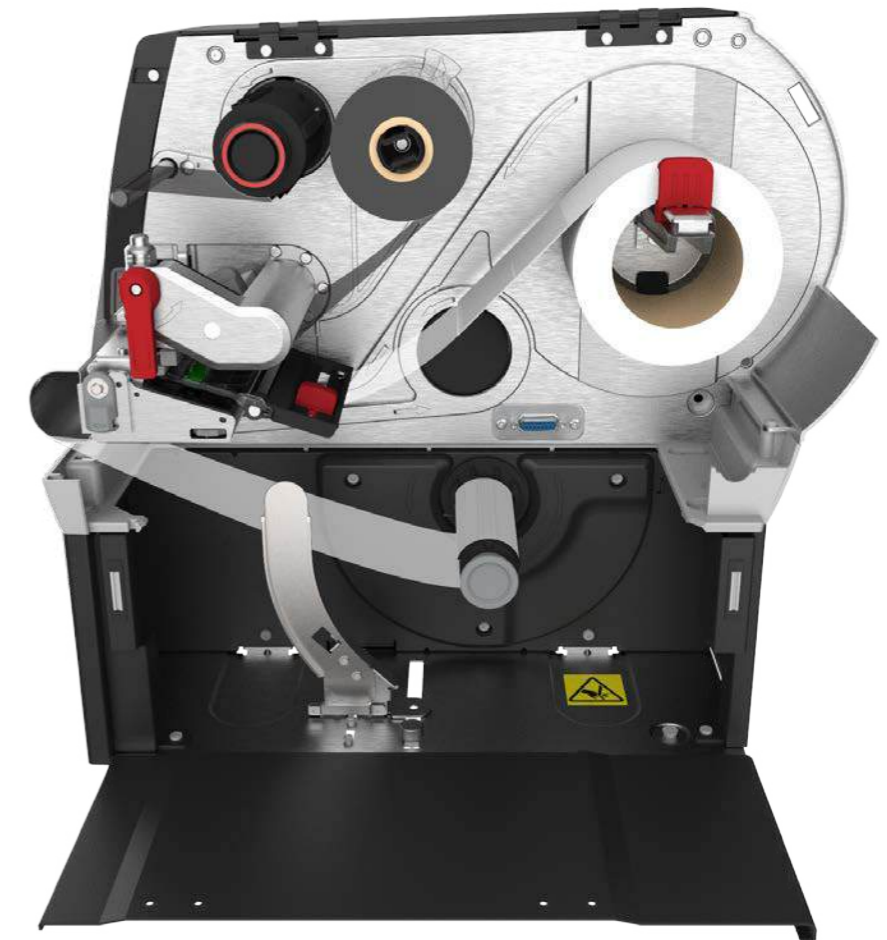


Exploded View

1



Side View with Empty Core



Side View with Collapsible Core

	PART NUMBER	DESCRIPTION
	50178308-001	KIT, PM45 Full Batch Rewinder (Field option kit)
OPTIONAL	50180221-001	PM45 Collapsible Core

ACCESSORIES

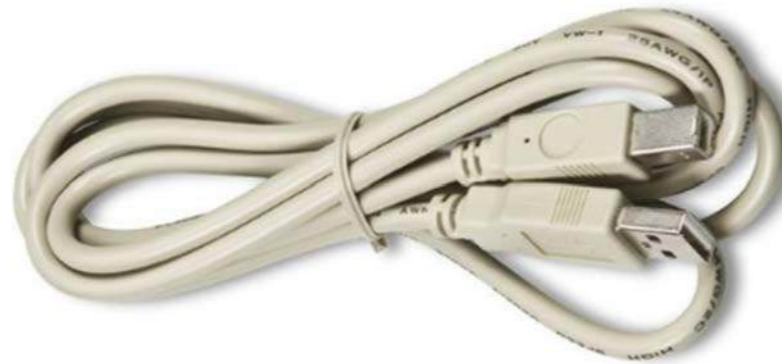
Consumables and Cables



PART NUMBER	MODEL	DESCRIPTION
50180236-001	PM45/PM45C	PM45/ PM45C 203 DPI Printhead Assembly, 4"
50180237-001	PM45/PM45C	PM45/ PM45C 300 DPI Printhead Assembly, 4"
50180238-001	PM45/PM45C	PM45/ PM45C 406 DPI Printhead Assembly, 4"
50180234-001	PM45/PM45C	PM45/ PM45C 600 DPI Printhead Assembly, 4"
PM65-TPH-203	PM65	PM65 203 DPI Printhead Assembly, 6"
PM65-TPH-300	PM65	PM65 300 DPI Printhead Assembly, 6"



PART NUMBER	DESCRIPTION
50180235-001	Kit, PM45/PM45C, 4-inch Platen Roller
PM65-PR	Kit, PM65, 6-inch Platen Roller



PART NUMBER	DESCRIPTION
321-576-004	USB (USB-A to USB-B) cable, 6.5 ft. (2 m) length



PART NUMBER	DESCRIPTION
1-974022-018	Parallel (IEEE 1284) cable, 5.9 ft. (1.8 m) length



PART NUMBER	DESCRIPTION
1-974024-018	RS-232 (DB9F to DB9M) cable, 5.9 ft. (1.8 m) length



PART NUMBER	DESCRIPTION
1-110501-00	Cleaning Card for 4" wide printers (4.5"x6"), box of 25
1-110601-00	Cleaning Card for 6" wide printers, box of 25 PX6i,PX6ie,PM65,PX65

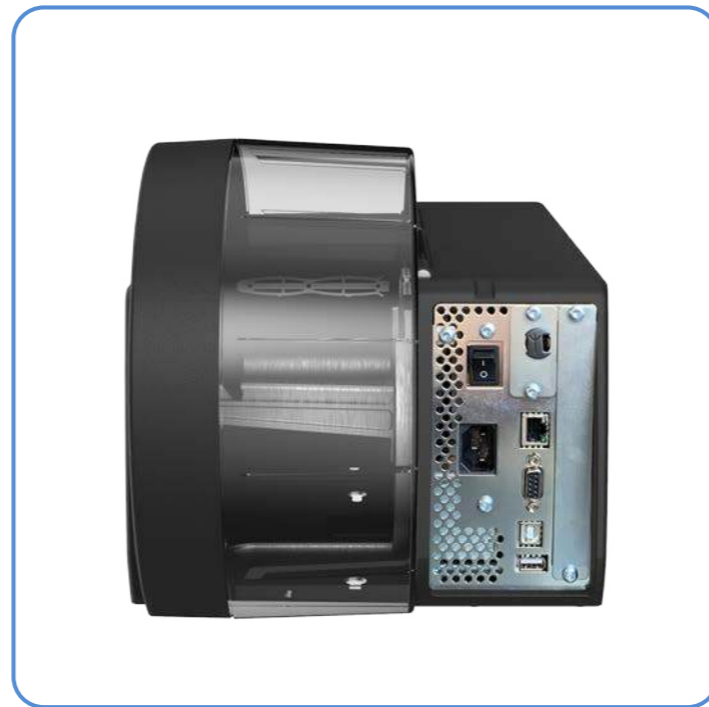
MISCELLANEOUS

AC Cords

Regional Power Cords



PM45 Rear I/O View



PM45C Rear I/O View



AC Power - C13 Type Connector











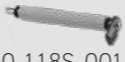
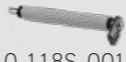

























PM65 Rear I/O View

PART NUMBER	TYPE	DESCRIPTION
3013-1460-001	C13	AC Power Cord, 1.5m, Argentina
3013-1457-001	C13	AC Power Cord, 1.5m, Australia/ New Zealand
3013-1452-001	C13	AC Power Cord, 1.5m, Brazil
3013-1454-001	C13	AC Power Cord, 1.5m, Europe (EU)
3013-1456-001	C13	AC Power Cord, 1.5m, India
3013-1458-001	C13	AC Power Cord, 1.5m, Israel
3013-1455-001	C13	AC Power Cord, 1.5m, Korea
3013-1462-001	C13	AC Power Cord, 1.5m, South Africa
3013-1459-001	C13	AC Power Cord, 1.5m, UK
3013-1453-001	C13	AC Power Cord, 1.5m, USA

APPENDIX

PM45/ PM45C/ PM65 vs PM43 Accessories

ACCESSORIES

Category	Description	 PM45	 PM45C	 PM65	 PM43	 PM43C	Is the PM45 part the same as PM43?	Is the PM43 part compatible with PM45?	Customer Installable	Notes
Platen Roller	Platen Roller Kit	 50180235-001	 50180235-001	 PM65-PR	 710-118S-001 or 710-118S-002	 710-118S-001 or 710-118S-002	No	No	Yes	New design optimised for print precision
	Linerless Platen Roller Kit	-	-	-	203-994-001	203-994-001				No Linerless support on PM45
Printheads	203 DPI Printhead Assembly	50180236-001	50180236-001	PM65-TPH-203	710-129S-001	710-129S-001	No	No	Yes	New design optimised for print precision
	300 DPI Printhead Assembly	50180237-001	50180237-001	PM65-TPH-300	710-179S-001	710-179S-001	No	No	Yes	New design optimised for print precision
	406 DPI Printhead Assembly	50180238-001	50180238-001	-	710-180S-001	710-180S-001	No	No	Yes	New design optimised for print precision
	600 DPI Printhead Assembly	50180234-001	50180234-001	-	710-129-004FRE	710-129-004FRE	No	No	Yes	New design optimised for print precision
Collapsible Core	Collapsible Core - Ribbon Take-up	 50174871-001FRE	 50174871-001FRE	 PM65-LCC	 203-971-001	 203-971-001	No	Yes	Yes	PM45 ribbon collapsible core is wider diameter
	Collapsible Core-(Coreless Media) Rewinder	 50180221-001	 50180221-001	 PM65-CC	 203-971-001	 203-971-001	No	Yes	Yes	4-inch is a colour change only
Wi-Fi / Bluetooth	Kit, Wireless LAN, North America (NA)	50178327-001 (a/b/g/n/ac)	50178327-001 (a/b/g/n/ac)	PM65-WL-NA (a/b/g/n/ac/ax)	270-189-001 (b/g/n) 270-189-003 (a/b/g/n)	270-189-001 (b/g/n) 270-189-003 (a/b/g/n)	No	No	Yes	
	Kit, Wireless LAN, Rest Of World (ROW)	50174832-001 (a/b/g/n/ac)	50174832-001 (a/b/g/n/ac)	PM65-WL-ROW (a/b/g/n/ac/ax)	270-189-002 (b/g/n) 270-189-004 (a/b/g/n)	270-189-002 (b/g/n) 270-189-004 (a/b/g/n)	No	No	Yes	
RFID	RFID UHF North America (NA)	50180747-001	50180747-001	50180747-001	270-177-014	270-177-014	No	No	No	Upgrade Kit - Requires authorized technician to install
	RFID UHF Europe (EU) / Rest Of World (ROW)	50180233-001	50180233-001	50180233-001	270-177-005	270-177-005	No	No	No	Upgrade Kit - Requires authorized technician to install
Cutter	Cutter Kit	 50180206-001	 50180201-001	 PM65-CUTTER	 203-991-002	 203-992-002	No	Yes	Yes (PM45/ PM65 Only)	4-inch is a colour change only
Interface Boards	Applicator	PM45-APPL-01	PM45-APPL-01	PM45-APPL-01	-	-	No	No	No	Upgrade Kit - Requires authorized technician to install
	DUART Industrial Interface Card	-	-	-	270-191-001	270-191-001	No	No	No	Upgrade Kit - Requires authorized technician to install
	Industrial Interface Board	PM45-IND-01	PM45-IND-01	PM45-IND-01	270-192-001	270-192-001	No	No	No	Upgrade Kit - Requires authorized technician to install
	Parallel Port Card	PM45-PAR-01	PM45-PAR-01	PM45-PAR-01	270-188-001	270-188-001	No	No	No	Upgrade Kit - Requires authorized technician to install
	USB Hub Interface Card	-	-	-	270-190-001	270-190-001	No	No	No	Upgrade Kit - Requires authorized technician to install
WWAN 4G LTE	50179990-001	50179990-001	50179990-001	-	-	No	No	No	Upgrade Kit - Requires authorized technician to install	
Media Supply Options	3" Media Core	203-972-001	203-972-001	203-972-001 (2 kits needed)	203-972-001	203-972-001	Yes	Yes	Yes	
	Rotation Hanger Kit	203-977-001	203-977-001	PM65-RH	203-977-001	203-977-001	Yes	Yes	Yes	
	Large Media Arm Edge Guide	 50180192-001	 50180192-001	 50180192-001	 203-973-001	 203-973-001	No	Yes	Yes	Colour change only
Label Dispenser	 50180196-001	 50180196-001	 PM65-LD	 203-974-001	 203-974-001	No	Yes	Yes	4-inch is a colour change only	
Rewinder	Internal Rewinder/Peel Off Kit	50178326-001	50178326-001	PM65-MR-001	710-090S-001	710-090S-001	No	No	No	Electronics are different between PM43 and PM45
	Full Roll Rewinder (Full Batch) Kit	50178308-001	-	-	203-976-001	-	No	No	No	Electronics are different between PM43 and PM45
Media Lock	Media Lock	-	-	203-970-001	203-970-001	-	-	-	-	Not supported on PM45

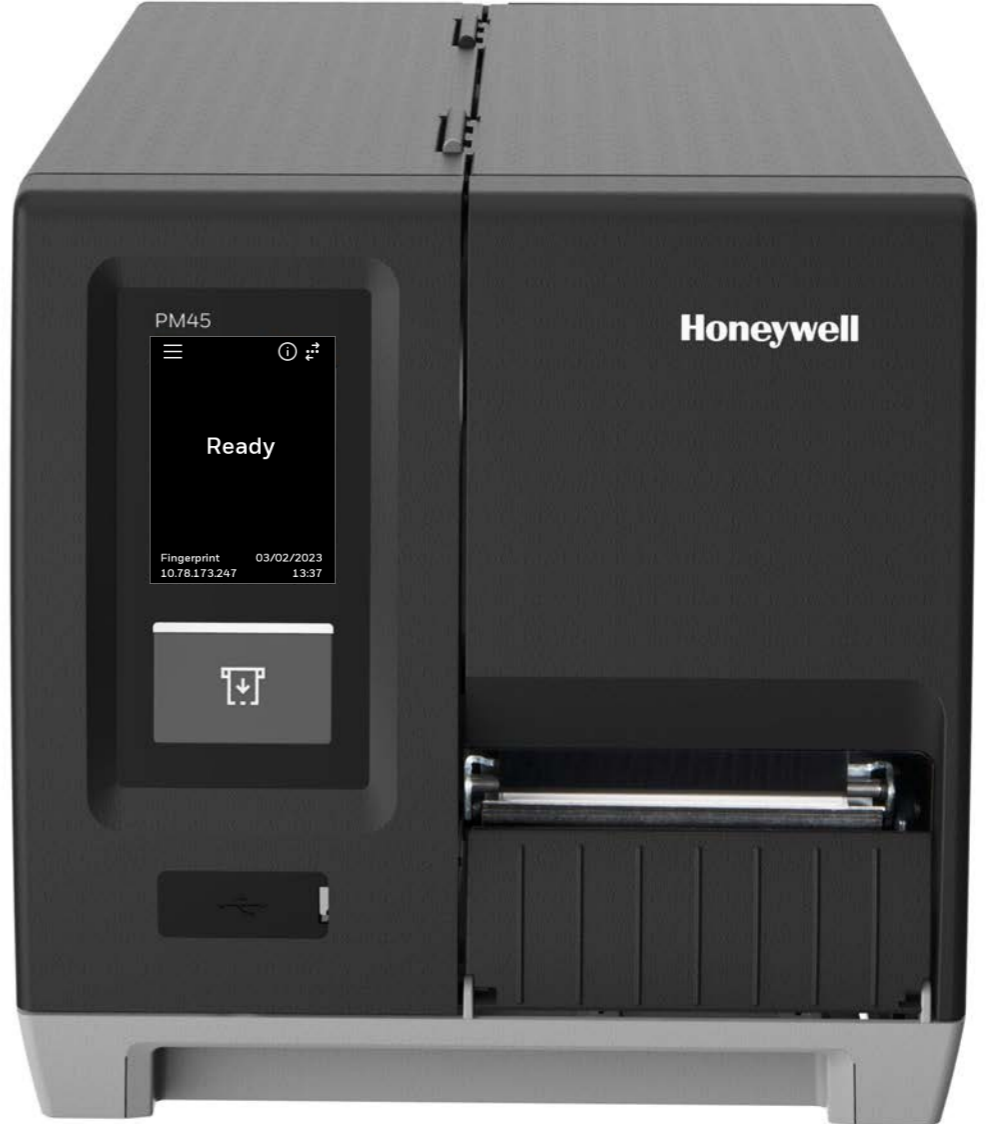
APPENDIX

Front Display - Compare PM45 to PM43

Compare the LCD/ Keyboard assembly.



PM43



PM45

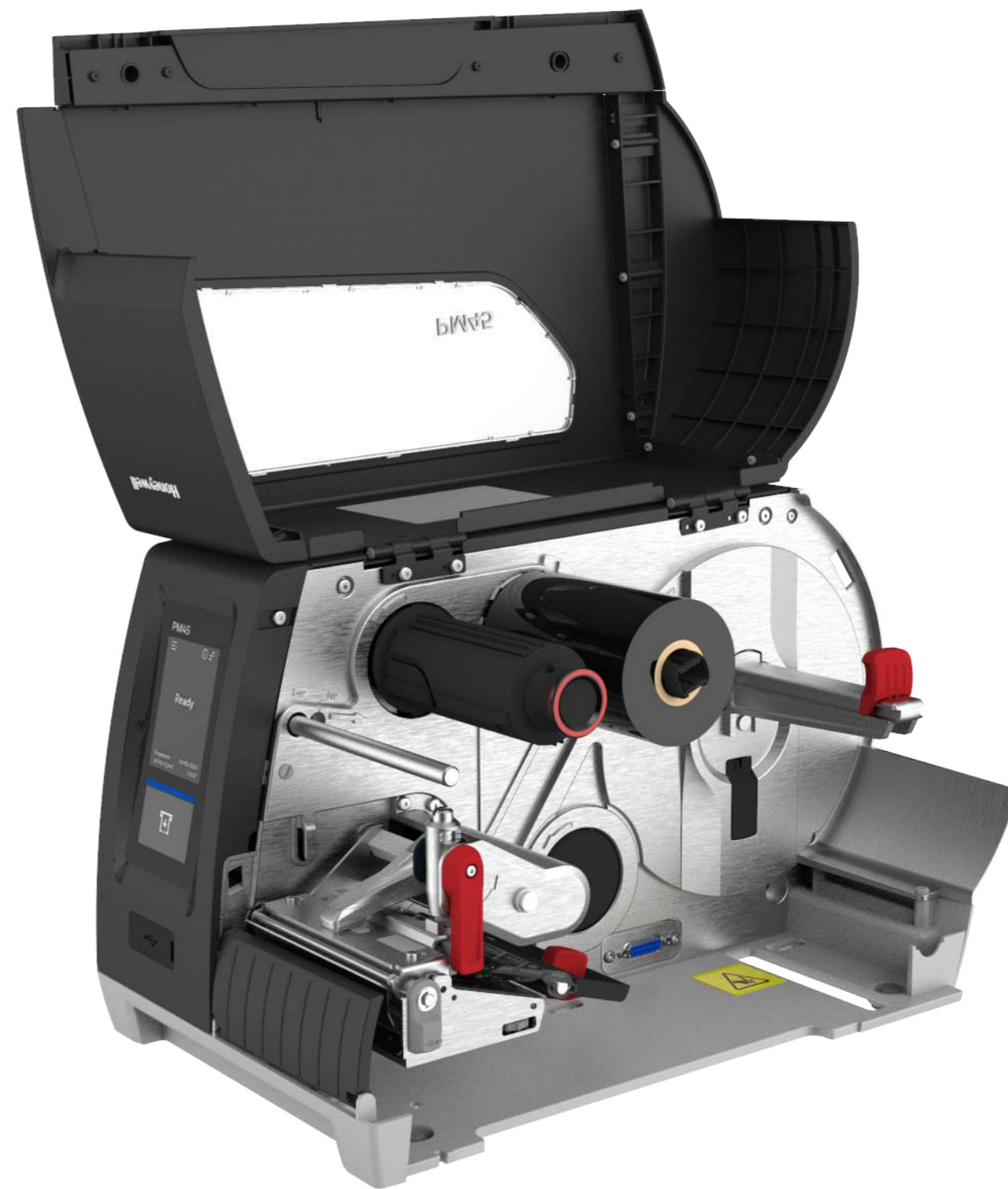
APPENDIX

Media Compartment - Compare PM45 to PM43

Compare the media setup.



PM43



PM45

APPENDIX

Connectivity - Compare PM45 to PM43

Compare the previous communication ports.



PM43



PM45

MISCELLANEOUS

Disclaimer

Disclaimer

Honeywell International Inc. ("HII") reserves the right to make changes in specification and other information contained in this document without prior notice, and the reader should in all cases consult HII to determine whether any such changes have been made. The information in this publication does not represent a commitment on the part of HII.

HII shall not be liable for technical or editorial errors or omissions contained herein; nor for incidental or consequential damages resulting the furnishing, performance, or use of this material.

This document contains proprietary information that is protected by copyright. All rights are reserved. No part of this document may be photocopied, reproduced, or translated into another language with-out prior written consent of HII.

Web Address: www.honeywellaidc.com

The Bluetooth trademarks are owned by Bluetooth SIG, Inc., U.S.A and licensed to Honeywell.

Other product names mentioned in the manual may be trademarks of registered trademarks of their respective companies and are the property of their respective owners.

All rights reserved.

For more information

automation.honeywell.com

Honeywell Safety and Productivity Solutions

855 S Mint St
Charlotte, NC 28202
800-582-4263
www.honeywell.com